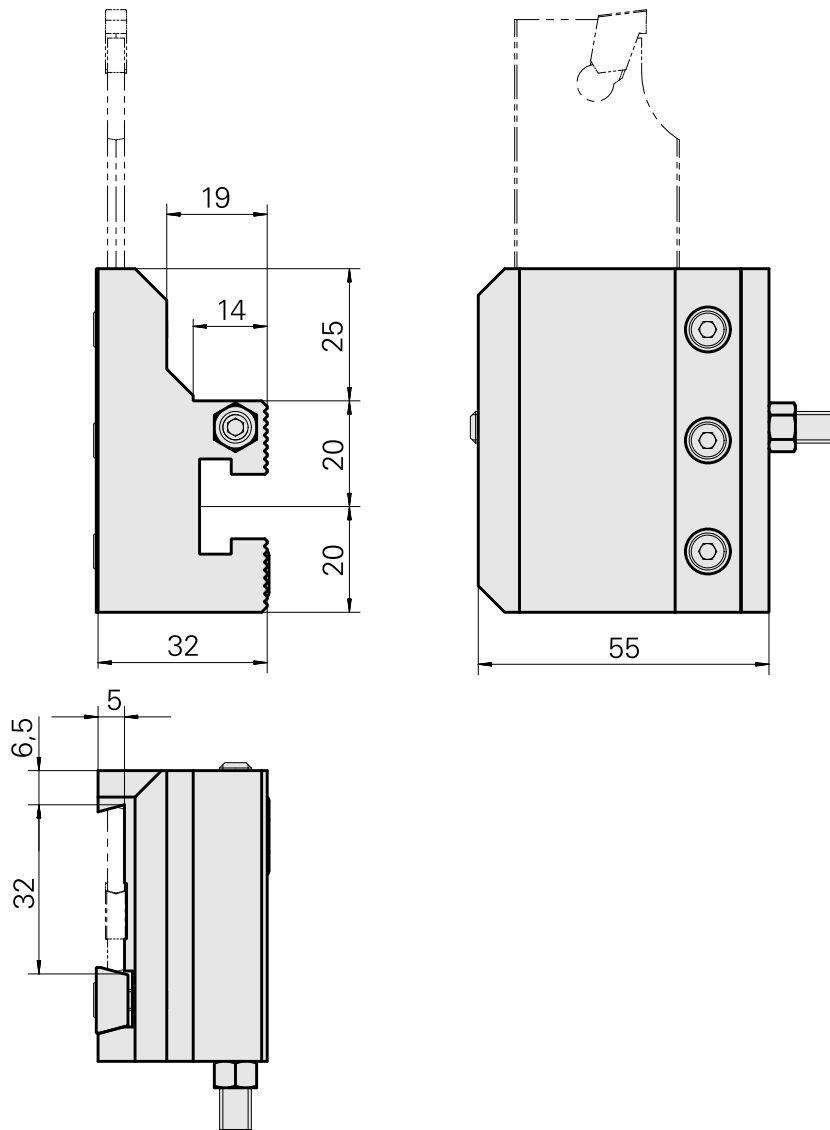
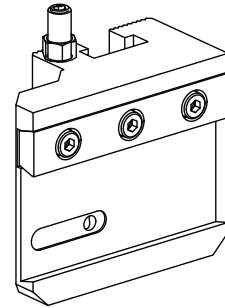


Grooving tool holding block Trapezoid 32, vertically adjustable

Technical data

| | |
|----------------------|-----------------------|
| Drive | not live |
| Cooling | external and internal |
| Pressure | 80 bar |
| Mounting | Trapezoid 32x5 |
| X [mm] | 45 (1.77") |
| Y [mm] | — |
| Z [mm] | 32 (1.26) |
| INDEX TRAUB products | C100 • TNX65/42 |



Documents

No downloads available for this product