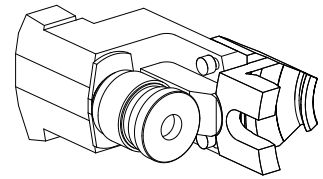


Thread whirling attachment

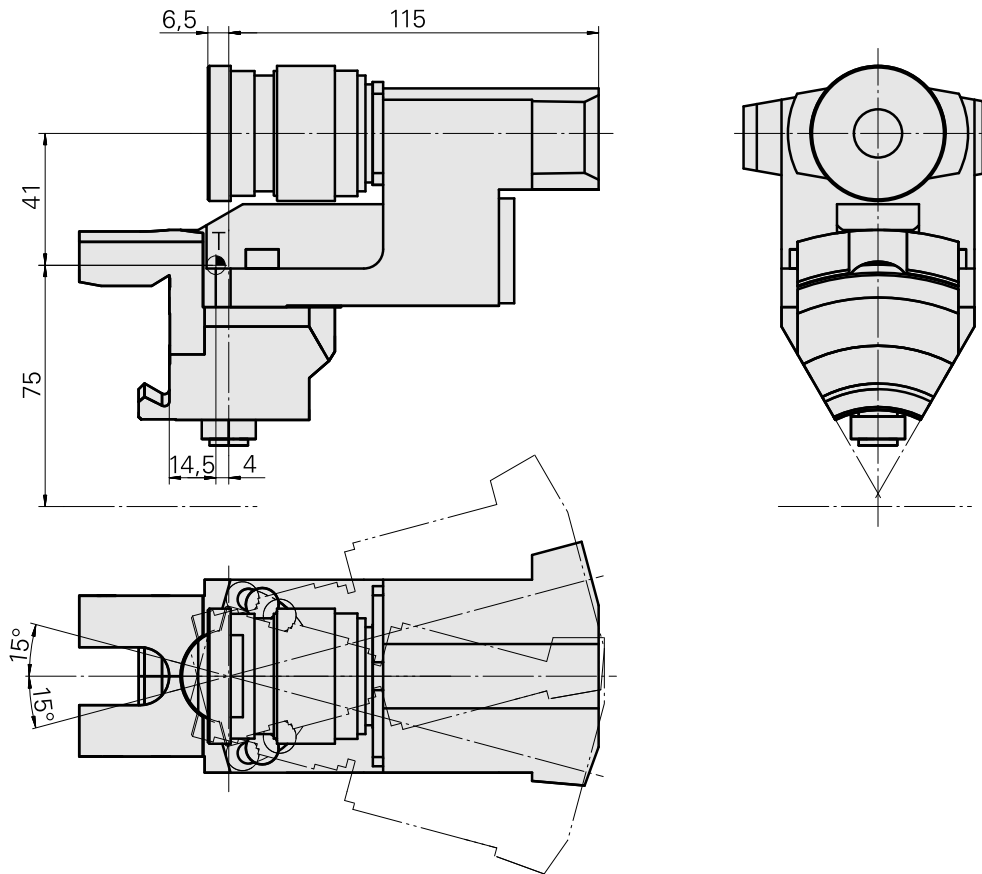
Technical data

| | |
|----------------------|-----------------------------|
| Shank TNL | Circular prism |
| Drive | Spur gear TRAUB TNL12 |
| Fixation TNL | Central tensioning screw |
| Speed ratio | 1:1,53 |
| Cooling | internal |
| Pressure | 30 bar |
| reversible 180° | no |
| Direction | opposite to drive direction |
| X [mm] | 41 (1.61") |
| Y [mm] | – |
| Z [mm] | 2.5 (0.01) |
| INDEX TRAUB products | TNL12 • TNL12.2 |



Note

The machine requires the "Cooling lubricant and lock-out air supply" option (part number 10864730/TNL12, 12139396/TNL12.2). Adjacent stations can only be used to a limited extent!



Documents

No downloads available for this product

Accessories

Optional accessories

Other accessories

[Flemmring](#)

Product ID : 10178083

Previous product ID : 835256

[Bolt](#)

Product ID : 10175866

Previous product ID : 835257
