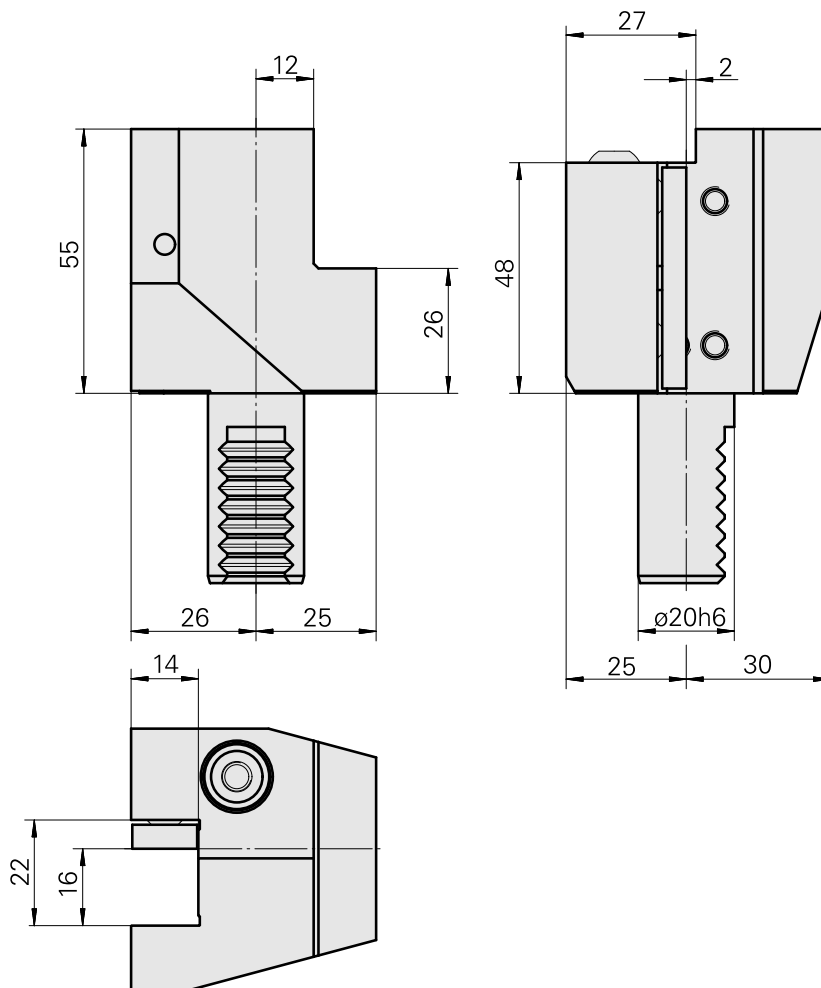


Turning tool holder VDI 20 square 16x16, Form C3

Technical data

| | |
|----------------------|--------------|
| Shank VDI | VDI 20 |
| Drive | not live |
| Fixation VDI | none |
| Cooling | external |
| Pressure | 20 bar |
| Mounting | Square 16x16 |
| reversible 180° | no |
| X [mm] | 55 (2.17") |
| Y [mm] | - |
| Z [mm] | 26 (1.02) |
| INDEX TRAUB products | C100 |



Documents

No downloads available for this product

Accessories

Optional accessories

Other accessories

[SPRAY NOZZLE 14D/M6](#)

Product ID : 10358770

Previous product ID : 474550.0121
