

Guide bush T223 Ø=10,00

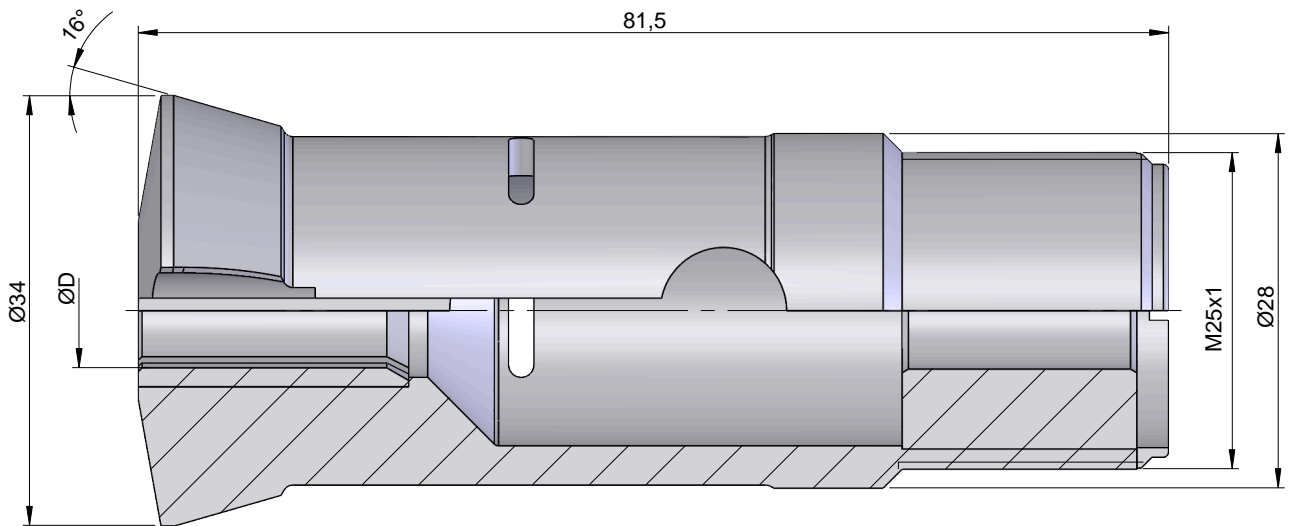
Technical data

| | |
|--------------------------------|-----------------------------|
| Clamping device size | T223 deadlength |
| Ext. manufacturer product line | |
| Clamping type | with carbide insert |
| Nominal diameter (mm) | 10 Millimeter |
| Clamping method | External clamping |
| Collet design | programmable (Axfix) |
| Collet version | Slots vulcanized (standard) |
| Ext. manufacturer product line | Schlenker |



Note

with bushing



Documents

No downloads available for this product