

WFB 20-12 ER8

Technical data

WZH Zubehörkategorie

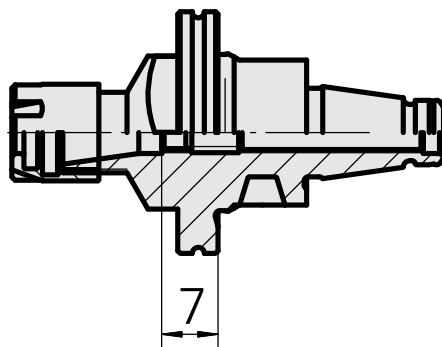
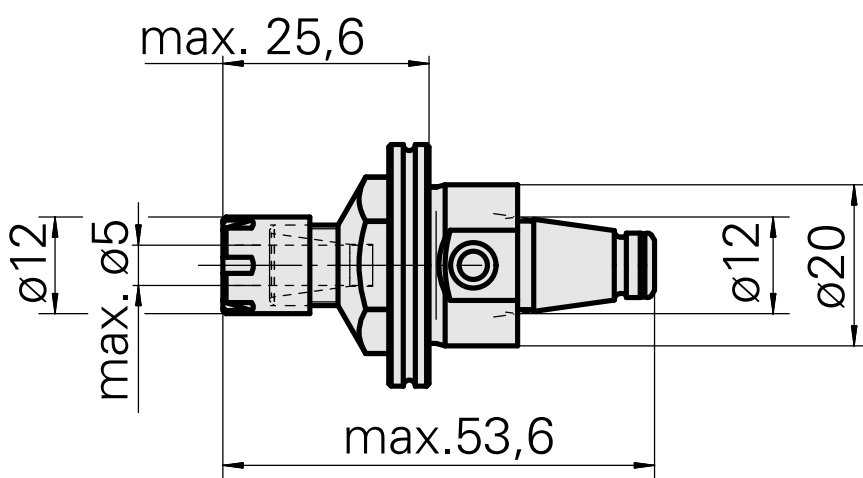
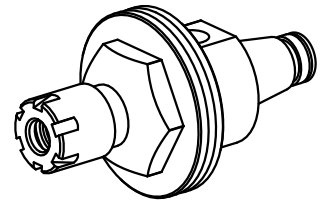
WFB 20-12

Aufnahme

ER8

Schnellwechseleinsätze

Spannzangenaufnahme



Documents

No downloads available for this product

Accessories

Required for operation

[Spannschlüssel Typ E8M](#)

Product ID : 11077222

Previous product ID : 323118

TH accessories category Tool	Mounting ER8	Collet type ER 8	Clamping nut type Female thread diameter reduced
Tools for Collet chucks Clamping nut wrench			

Optional accessories

Tool holder accessories

[Clamping nut](#)

Product ID : 10490215

Previous product ID : 323117

TH accessories category Clamping nut	Mounting ER8	Collet type ER 8	Clamping nut type Female thread diameter reduced
---	-----------------	---------------------	---

Other accessories

[Clamping collet](#)

Product ID : 10719579

Previous product ID : 901930.8---

[Adjusting screw M 5x10](#)

Product ID : 10674886

Previous product ID : 326793
