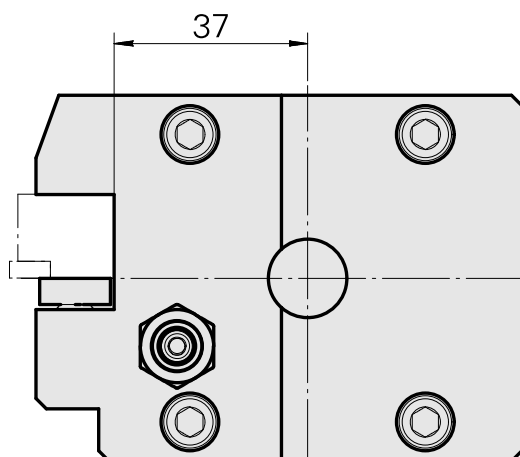
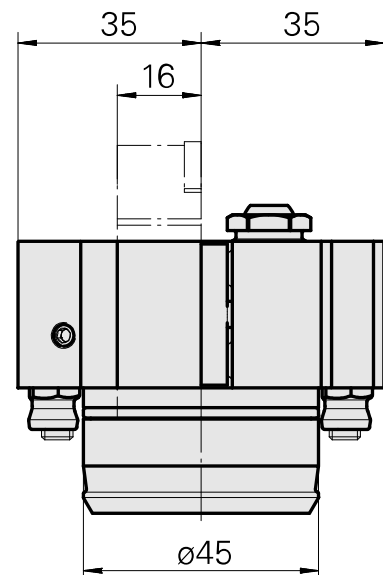
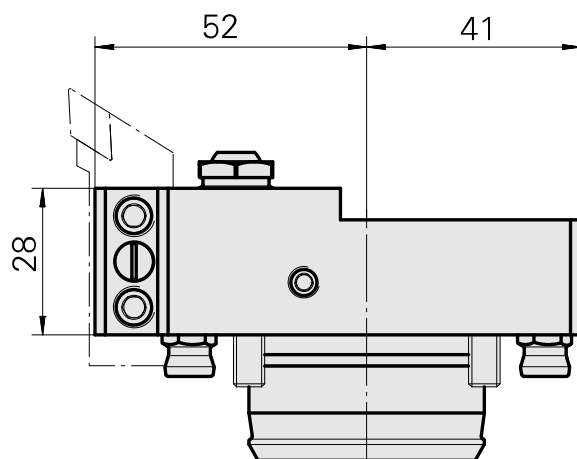


## Turning tool holder

### Technical data

|                             |  |
|-----------------------------|--|
| <b>Shank KPS</b>            | KPS 45                                   |
| <b>Drive</b>                | not live                                 |
| <b>Cooling</b>              | external and internal                    |
| <b>Mounting</b>             | Square 16x16                             |
| <b>Pressure</b>             | 80 bar                                   |
| <b>X [mm]</b>               | 28 (1.10")                               |
| <b>Y [mm]</b>               | -  |
| <b>Z [mm]</b>               | 52 (2.05)                                |
| <b>INDEX TRAUB products</b> | TNL20 • TNK40.2-8B • TNL32-11<br>compact |



## Documents

No downloads available for this product

## Accessories

Optional accessories

### Other accessories

#### [Nozzle Kugel D10 - Bohrung D2 40°](#)

Product ID : 10072335

Previous product ID : 910693

---

#### [HOLLOW SCREW M14x1 M14x1](#)

Product ID : 10105238

Previous product ID : W67530.0818

---

#### [BUSHING 10 D x 6 D x 12,5](#)

Product ID : 10670360

Previous product ID : W67530.0824

---

#### [Coolant Nozzle](#)

Product ID : 11031912

Previous product ID : W67500.3208

---