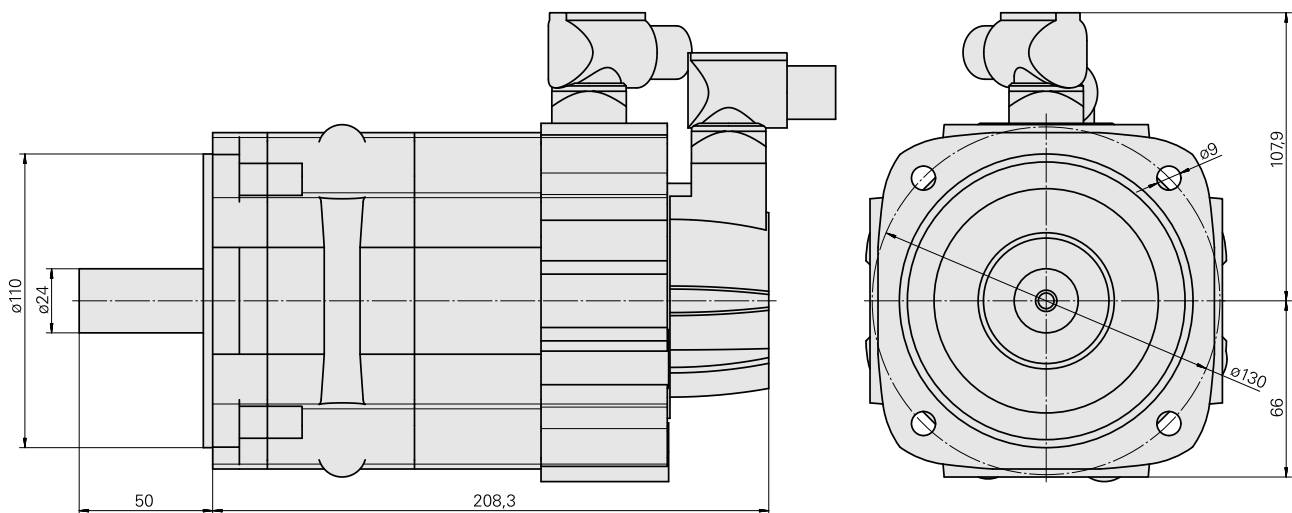
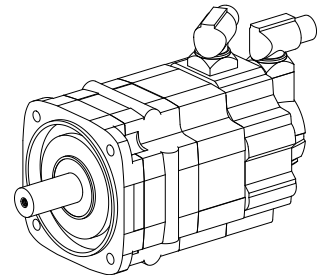


AC motor

Caratteristiche tecniche

| | |
|----------------------------------|------------------------|
| manufacturer product line | Siemens |
| Electrical assemblies | Servomotor |
| manufacturer product line | 1FT7 |
| Voltage | 600 Volt |
| (Nominal) speed (rpm) | 6000 1/minute |
| Rated power W | 5800 Watt |
| (Stall) torque [Nm] | 10 Newton/meter |
| Plug connection/type | M23 (size 1 / encoder) |
| Protection class | IP67 |
| Encoder resolution (ST) | 2048 Piece |
| Encoder type | Increment |
| Brake | no – unbraked |
| Motor design | IM B5 |



Documenti

Non sono disponibili download per questo prodotto