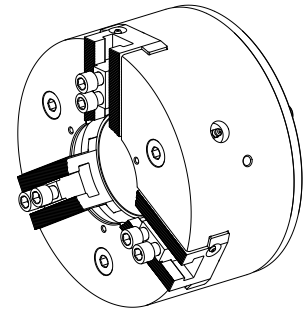


## 3-jaw chuck

### Technical data

<b>INDEX TRAUB products</b>	R300
<b>Spindle clearance</b>	102mm
<b>Machining side</b>	Main spindle • Counter spindle
<b>Spindle mounting</b>	KK 8



No 3-side view is currently available for this product

---

## Documents

No downloads available for this product

## Accessories

Required for operation

### [Adaptor](#)

Product ID : 10752279

Previous product ID : 908127.8351

---

### [RING PG 20213](#)

Product ID : 10801809

Previous product ID : 479103.1141

manufacturer product  
line  
Trelleborg

TSS material no.

Cord size  
1.78 Millimeter

manufacturer product  
line  
O-ring