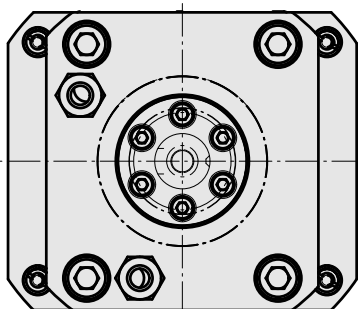
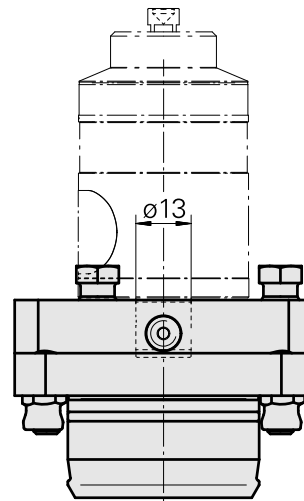
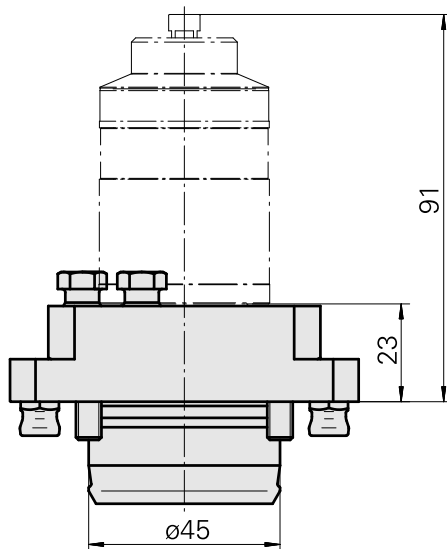


Messtasterhalter KPS 45 Blum

Technical data

Schaft KPS	KPS 45
Antrieb	nicht angetrieben
Kühlung	außen
Aufnahme	Blum
Druck	80 bar
180° wendbar	ja
X [mm]	30
Y [mm]	–
Z [mm]	–
Produkte INDEX TRAUB	TNL20 • TNL32 • TNL32-11 • TNL32-11 compact • TNL20-11 • TNL20.2-11 • TNL32 compact • TNK40.2-10 • TNK40.2-8 • TNL20.2



Documents

No downloads available for this product

Accessories

Required for operation

[Messtaster Fa. Blum BTH25 D13](#)

Product ID : 12133362

Previous product ID :

[Tasteinsätze Fa. Blum](#)

Product ID : 12133363

Previous product ID :

Optional accessories

Tool holder accessories

[Coolant tube, L=100 mm \(3.93"\)](#)

Product ID : 10309869

Previous product ID : W9990658

TH accessories
category
Cooling lubricant tube

Mounting
D6

Other accessories

[Gew.-Stift M6x0,75 f. Blum BTH25 -Aufnah](#)

Product ID : 12006155

Previous product ID :

[Not defined](#)

Product ID : 12006154

Previous product ID :

Chip Protection

Product ID : 12007557

Previous product ID :

Conical ring DIN 3862-6-St

Product ID : 10528470

Previous product ID : 471060.0601

THREADED BUSHING M10x1 Stahl verzinkt A3C

Product ID : 10707394

Previous product ID : 471112.06
