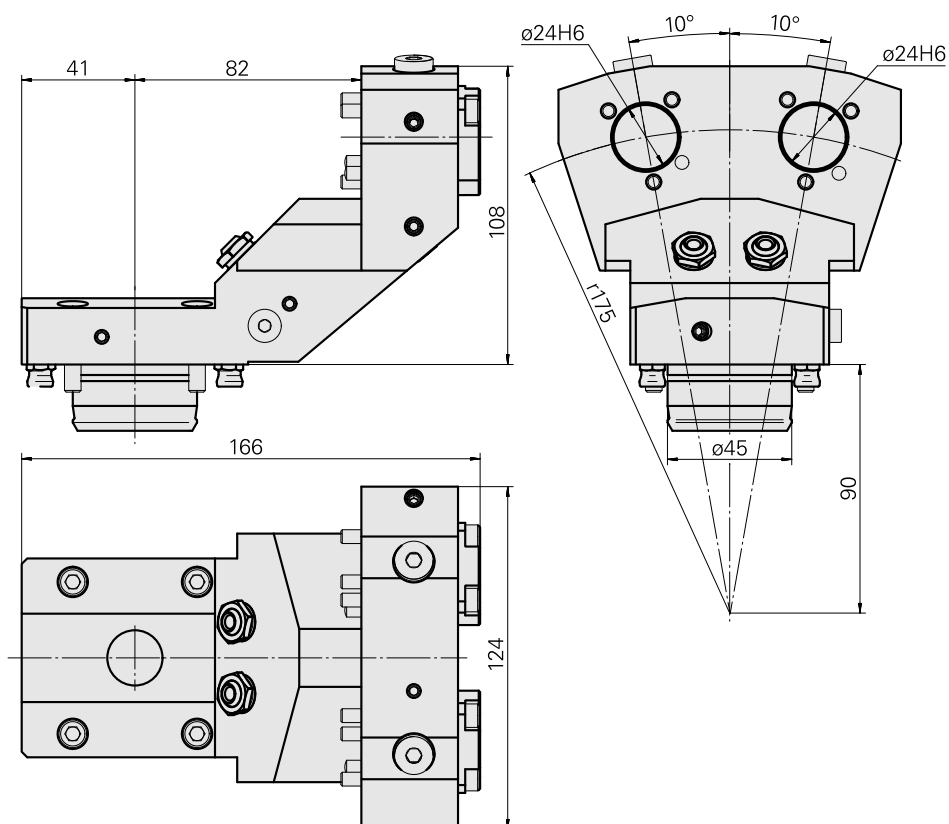
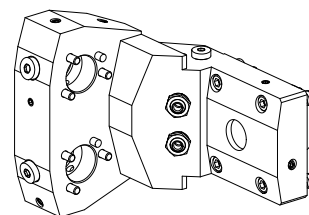


## Supporto di base KPS 45 D24, doppio

### Technical data

|                             |   |
|-----------------------------|---|
| <b>Gambo KPS</b>            | KPS 45  |
| <b>Azionamento</b>          | non azionato  |
| <b>Raffreddamento</b>       | esterno e interno   |
| <b>Attacco</b>              | D24   |
| <b>Pressione</b>            | 80 bar, opzio. Interna 120 bar  |
| <b>X [mm]</b>               | 85  |
| <b>Y [mm]</b>               | ±10°  |
| <b>Z [mm]</b>               | -82   |
| <b>Prodotti INDEX TRAUB</b> | TNL18 • TNL20 • TNL32-11<br>compact • TNL20-11 • TNL32<br>compact • TNK40.2-10 • TNL20.2 •<br>TNK40.2 |



## Documents

### Product notes

[DE \(pdf\)](#)

[FR \(pdf\)](#)

[EN \(pdf\)](#)

## Accessories

### Optional accessories

#### Tool holders with compact shank

##### [Attacco D12](#)

Product ID : 10069528

Previous product ID : W9990530

|                      |                     |                 |  |
|----------------------|---------------------|-----------------|--|
| Drive<br>not live    | Cooling<br>internal | Mounting<br>D12 | Pressure<br>80 bar   |
| X [mm]<br>36 (1.42") | Y [mm]<br>–         | Z [mm]<br>–     | INDEX TRAUB products<br>ABC65 • TNK42/65<br>• TNL18 • TNL20 •<br>TNL32-11 • TNL32 •<br>TNL32-11 compact<br>• TNL20-11 • TNL32<br>compact • TNK40.2-10<br>• TNL20.2 • TNK40.2 |

##### [Attacco D16](#)

Product ID : 10506517

Previous product ID : W9990105

|                      |                     |                 |  |
|----------------------|---------------------|-----------------|--|
| Drive<br>not live    | Cooling<br>internal | Mounting<br>D16 | Pressure<br>80 bar   |
| X [mm]<br>36 (1.42") | Y [mm]<br>–         | Z [mm]<br>–     | INDEX TRAUB products<br>ABC65 • TNK42/65<br>• TNL18 • TNL20 •<br>TNL32-11 • TNL32 •<br>TNL32-11 compact<br>• TNL20-11 • TNL32<br>compact • TNK40.2-10<br>• TNL20.2 • TNK40.2 |

### Attacco D20

Product ID : 10401858

Previous product ID : W9990506

|                      |                     |                 |  |
|----------------------|---------------------|-----------------|--|
| Drive<br>not live    | Cooling<br>internal | Mounting<br>D20 | Pressure<br>80 bar   |
| X [mm]<br>40 (1.57") | Y [mm]<br>–         | Z [mm]<br>–     | INDEX TRAUB products<br>ABC65 • TNK42/65<br>• TNL18 • TNL20 •<br>TNL32-11 • TNL32 •<br>TNL32-11 compact<br>• TNL20-11 • TNL32<br>compact • TNK40.2-10<br>• TNL20.2 • TNK40.2 |

### Attacco ER16

Product ID : 10355081

Previous product ID : W9990346

|                      |                     |                  |  |
|----------------------|---------------------|------------------|--|
| Drive<br>not live    | Cooling<br>internal | Mounting<br>ER16 | Pressure<br>80 bar   |
| X [mm]<br>54 (2.13") | Y [mm]<br>–         | Z [mm]<br>–      | INDEX TRAUB products<br>ABC65 • TNK42/65<br>• TNL18 • TNL20 •<br>TNL32-11 • TNL32 •<br>TNL32-11 compact<br>• TNL20-11 • TNL32<br>compact • TNK40.2-10<br>• TNL20.2 • TNK40.2 |

### Attacco ER20

Product ID : 11056269

Previous product ID : W9990541

|                      |                     |                  |  |
|----------------------|---------------------|------------------|--|
| Drive<br>not live    | Cooling<br>internal | Mounting<br>ER20 | Pressure<br>80 bar   |
| X [mm]<br>54 (2.13") | Y [mm]<br>–         | Z [mm]<br>–      | INDEX TRAUB products<br>ABC65 • TNK42/65<br>• TNL18 • TNL20 •<br>TNL32-11 • TNL32 •<br>TNL32-11 compact<br>• TNL20-11 • TNL32<br>compact • TNK40.2-10<br>• TNL20.2 • TNK40.2 |

### Attacco WFB 20-12

Product ID : 11070391

Previous product ID : W9990106

|                      |                     |                       |  |
|----------------------|---------------------|-----------------------|--|
| Drive<br>not live    | Cooling<br>internal | Mounting<br>WFB 20-12 | Pressure<br>80 bar   |
| X [mm]<br>19 (0.75") | Y [mm]<br>-         | Z [mm]<br>-           | INDEX TRAUB products<br>ABC65 • TNK42/65<br>• TNL18 • TNL20 •<br>TNL32-11 • TNL32 •<br>TNL32-11 compact<br>• TNL20-11 • TNL32<br>compact • TNK40.2-10<br>• TNL20.2 • TNK40.2 |

### Mount D20 (0.79 ")

Product ID : 10585914

Previous product ID : W9990577

|                   |                     |                 |  |
|-------------------|---------------------|-----------------|--|
| Drive<br>not live | Cooling<br>internal | Mounting<br>D20 | Pressure<br>80 bar   |
| X [mm]<br>-       | Y [mm]<br>-         | Z [mm]<br>-     | INDEX TRAUB products<br>ABC65 • TNK42/65<br>• TNL18 • TNL20 •<br>TNL32-11 • TNL32 •<br>TNL32-11 compact<br>• TNL20-11 • TNL32<br>compact • TNK40.2-10<br>• TNL20.2 • TNK40.2 |

### Mount D25 (0.98 ")

Product ID : 10734045

Previous product ID : W9991047

|                      |                     |                 |  |
|----------------------|---------------------|-----------------|--|
| Drive<br>not live    | Cooling<br>internal | Mounting<br>D25 | Pressure<br>80 bar   |
| X [mm]<br>52 (2.05") | Y [mm]<br>-         | Z [mm]<br>-     | INDEX TRAUB products<br>ABC65 • TNK42/65<br>• TNL18 • TNL20 •<br>TNL32-11 • TNL32 •<br>TNL32-11 compact<br>• TNL20-11 • TNL32<br>compact • TNK40.2-10<br>• TNL20.2 • TNK40.2 |

### Attacco ER25

Product ID : 10195583

Previous product ID : W9990562

|                      |                     |                  |  |
|----------------------|---------------------|------------------|--|
| Drive<br>not live    | Cooling<br>internal | Mounting<br>ER25 | Pressure<br>80 bar   |
| X [mm]<br>47 (1.85") | Y [mm]<br>-         | Z [mm]<br>-      | INDEX TRAUB products<br>ABC65 • TNK42/65<br>• TNL18 • TNL20 •<br>TNL32-11 • TNL32 •<br>TNL32-11 compact<br>• TNL20-11 • TNL32<br>compact • TNK40.2-10<br>• TNL20.2 • TNK40.2 |

### Mount ER25

Product ID : 11072565

Previous product ID : W9990575

|                   |                     |                  |  |
|-------------------|---------------------|------------------|--|
| Drive<br>not live | Cooling<br>internal | Mounting<br>ER25 | Pressure<br>80 bar   |
| X [mm]<br>-       | Y [mm]<br>-         | Z [mm]<br>-      | INDEX TRAUB products<br>ABC65 • TNK42/65<br>• TNL18 • TNL20 •<br>TNL32-11 • TNL32 •<br>TNL32-11 compact<br>• TNL20-11 • TNL32<br>compact • TNK40.2-10<br>• TNL20.2 • TNK40.2 |

### **Tool holder accessories**

#### Prolungamento mandrino, L = 100 mm

Product ID : 10346684

Previous product ID : W9990559

|  |                |
|--|----------------|
| TH accessories<br>category<br>Cooling lubricant tube | Mounting<br>M6 |
|--|----------------|

### **Other accessories**

#### Bussola 10 D x 6 D x 12,5

Product ID : 10670360

Previous product ID : W67530.0824

11078080  
W7040123

**INDEX**

---

Vite ad incavo M14x1

Product ID : 10105238

Previous product ID : W67530.0818

---

Ugello Palla

Product ID : 11031912

Previous product ID : W67500.3208

---