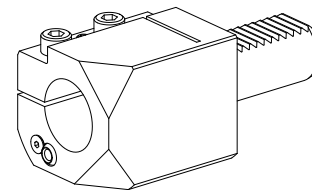
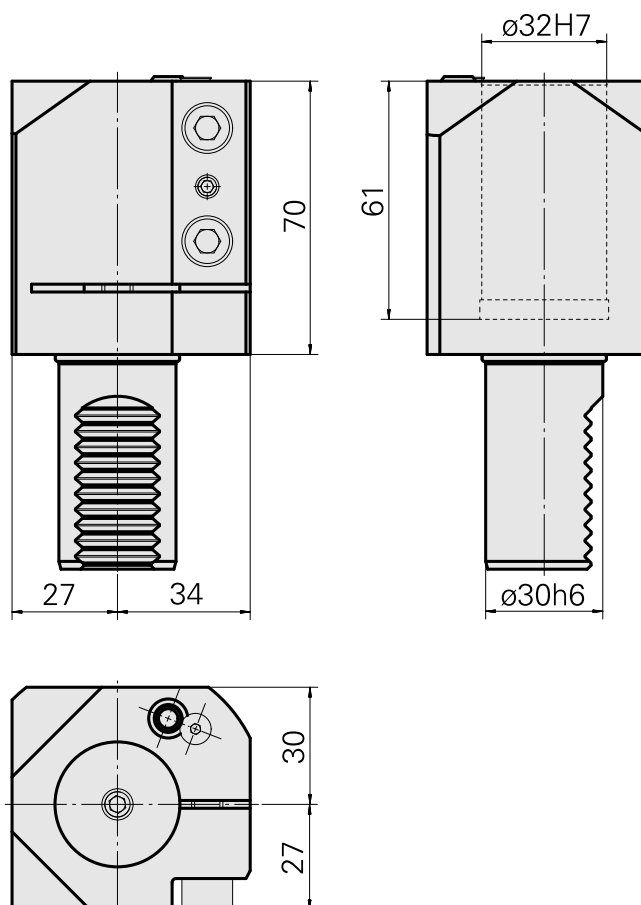


Drilling tool holder VDI 30 D32, Form E2

Technical data



Shank VDI	VDI 30
Drive	not live
Fixation VDI	none
Cooling	external
Pressure	20 bar
Mounting	D32
reversible 180°	no
Data carrier	check tool station bore
X [mm]	70 (2.76")
Y [mm]	-
Z [mm]	-
INDEX TRAUB products	IT600 • V100 • V200 • V160C • V160G • V300 • TNA300



Documents

No downloads available for this product

Accessories

Optional accessories

Other accessories

[Mounting sleeve D32](#)

Product ID : 10022842

Previous product ID : W63220.02--
