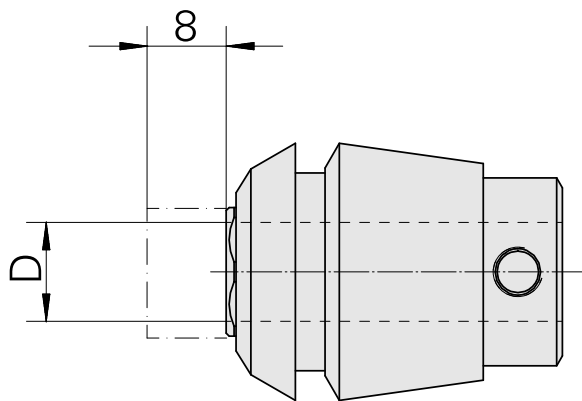


## ER-Collet chuck for taps ET 1-25 4.5mm

### Technical data

|                         |                          |
|-------------------------|--------------------------|
| TH accessories category | ER-Collet chuck for taps |
| Mounting                | ER25                     |
| Tool mounting           | 4.5mm                    |
| Collet type             | ET 1-25                  |



11052907  
322460

**INDEX**

---

## **Documents**

No downloads available for this product