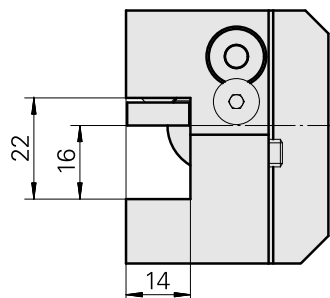
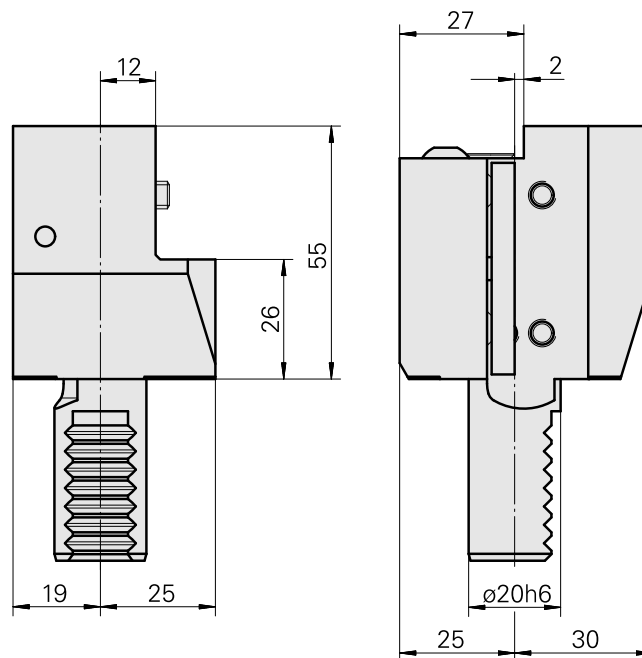
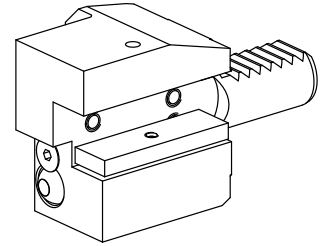


## Turning tool holder VDI 20 square 16x16, Form C3

### Technical data

Shank VDI	VDI 20
Drive	not live
Fixation VDI	none
Cooling	external
Pressure	20 bar
Mounting	Square 16x16
reversible 180°	no
X [mm]	55 (2.17")
Y [mm]	–
Z [mm]	19 (0.75)
INDEX TRAUB products	C100



## Documents

No downloads available for this product

## Accessories

Optional accessories

### Other accessories

#### [Base plate 48 x 13,6 x 4](#)

Product ID : 10761917

Previous product ID : W62350.1024

---

#### [Ball](#)

Product ID : 10998339

Previous product ID : W62220.0204

---

#### [Countersunk screw 8.8 Torx M 5x12 14581 M 5x12/T25 verzinkt 402315 12](#)

Product ID : 10607371

Previous product ID : 410362.0512

---