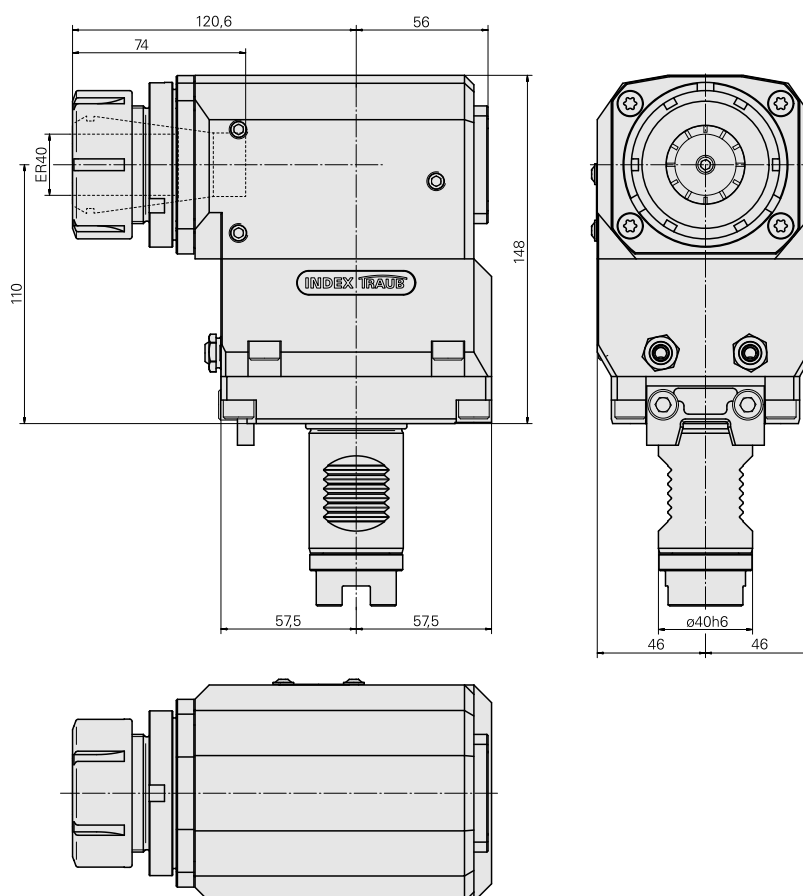
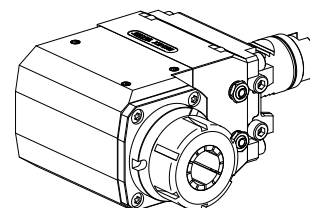


## Milling unit VDI 40 2:1 ER40

### Technical data

Shank VDI	VDI 40
Drive	Dog clutch
Fixation VDI	Vee bar
Speed ratio	2:1
Cooling	external, internal optional
Pressure	80 bar
Mounting	ER40
reversible 180°	yes
Direction	same as drive direction
X [mm]	110 (4.33")
Y [mm]	—
Z [mm]	120,6 (4,75")
INDEX TRAUB products	G400



---

## Documents

### Product notes

[DE \(pdf\)](#)

[EN \(pdf\)](#)

[FR \(pdf\)](#)

[PT \(pdf\)](#)

## Accessories

Required for operation

### [Spanner](#)

Product ID : 10474438

Previous product ID : 490219.0401

TH accessories category Tool	Mounting ER40	Collet type ER 40	Clamping nut type Female thread
Tools for Collet chucks Clamping nut wrench			

### [Hook wrench](#)

Product ID : 10567017

Previous product ID : 490340.0590

TH accessories category Tool	Clamping nut type Outside diameter 55-62 mm	Tools for Collet chucks Hook wrench
---------------------------------	---	--

Optional accessories

### Tool holder accessories

### [Coolant Supply, internal 160 bar](#)

Product ID : 10236572

Previous product ID : W9990284

---

---

### [Coolant Supply, internal 80 bar](#)

Product ID : 10687215  
Previous product ID : W9990290

---

### [Clamping nut](#)

Product ID : 11029703  
Previous product ID : 901939.0401

TH accessories  
category  
Clamping nut

Mounting  
ER40

Collet type  
ER 40

Clamping nut type  
Female thread

### **Other accessories**

### [Clamping collet](#)

Product ID : 10146045  
Previous product ID : 901930.4---

---

### [HOLLOW SCREW M14x1 M14x1](#)

Product ID : 10105238  
Previous product ID : W67530.0818

---

### [BUSHING 10 D x 6 D x 12,5](#)

Product ID : 10670360  
Previous product ID : W67530.0824

---

### [Coolant Nozzle](#)

Product ID : 11031912  
Previous product ID : W67500.3208

---

### [Nozzle M6 mit D1,6](#)

Product ID : 10147428  
Previous product ID : W00019.0216

---