

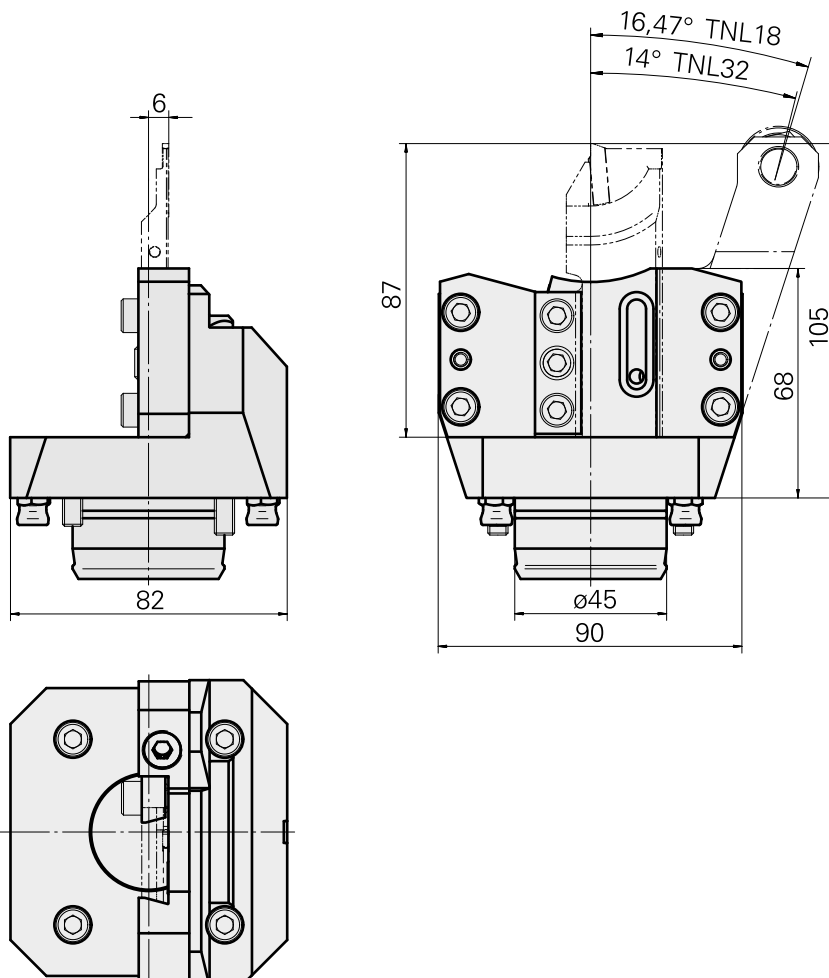
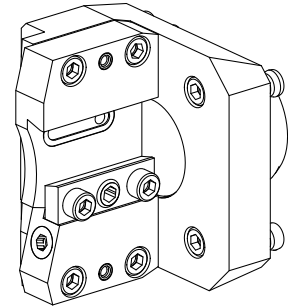
## Grooving tool holder KPS 45 Trapezoid 26

### Technical data

|                  |                |
|------------------|----------------|
| <b>Shank KPS</b> | KPS 45         |
| <b>Drive</b>     | not live       |
| <b>Cooling</b>   | internal       |
| <b>Mounting</b>  | Trapezoid 26x8 |
| <b>Pressure</b>  | 80 bar         |
| <b>X [mm]</b>    | 68 (2.68")     |
| <b>Y [mm]</b>    | -              |
| <b>Z [mm]</b>    | -6 (-0.24)     |

### INDEX TRAUB products

TNL18 • TNL20 • TNL32-11 •  
TNL32 • TNL32-11 compact •  
TNL20-11 • TNL32 compact  
• TNK40.2-10 • TNK40.2-8 •  
TNL20.2



---

## Documents

No downloads available for this product

## Accessories

### Optional accessories

#### O-Rings

##### [Gasket ring OR 18,77X1,78](#)

Product ID : 10897583

Previous product ID : 316038

|   |                  |                              |                                     |
|---|------------------|------------------------------|-------------------------------------|
| manufacturer product line<br>Trelleborg | TSS material no. | Cord size<br>1.78 Millimeter | manufacturer product line<br>O-ring |
|---|------------------|------------------------------|-------------------------------------|

#### Tool holders with compact shank

##### [Bar stop, live](#)

Product ID : 10436606

Previous product ID : W9990516

|                   |   |
|-------------------|---|
| Drive<br>not live | INDEX TRAUB products<br>TNL32-11 compact<br>• TNL32 • TNL20-11<br>• TNL32 compact •<br>TNK40.2-10 • TNL20 •<br>TNL32-10 • TNL32-11<br>• TNL32-7 • TNL32-7B<br>• TNL32-8 • TNL32-9 •<br>TNL32-9P • TNL32P •<br>TNK40.2-8 • TNL20.2 |
|-------------------|---|

#### Other accessories

##### [Bush 4x8x12](#)

Product ID : 10831938

Previous product ID : W02010.0002

---

##### [Hollow screw M12x1](#)

Product ID : 10757766

Previous product ID : W02013.0001

---

10951402  
W7040096

**INDEX**

---

Nozzle Kugel-D8

Product ID : 10007891  
Previous product ID : 904837

---

Locking screw M12x1

Product ID : 10135400  
Previous product ID : 910677

---