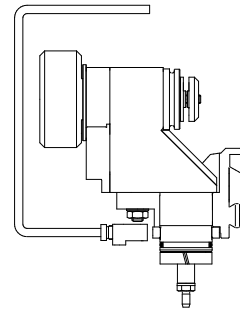


Polygon turning unit Circular prism 2:1, $\pm 15^\circ$

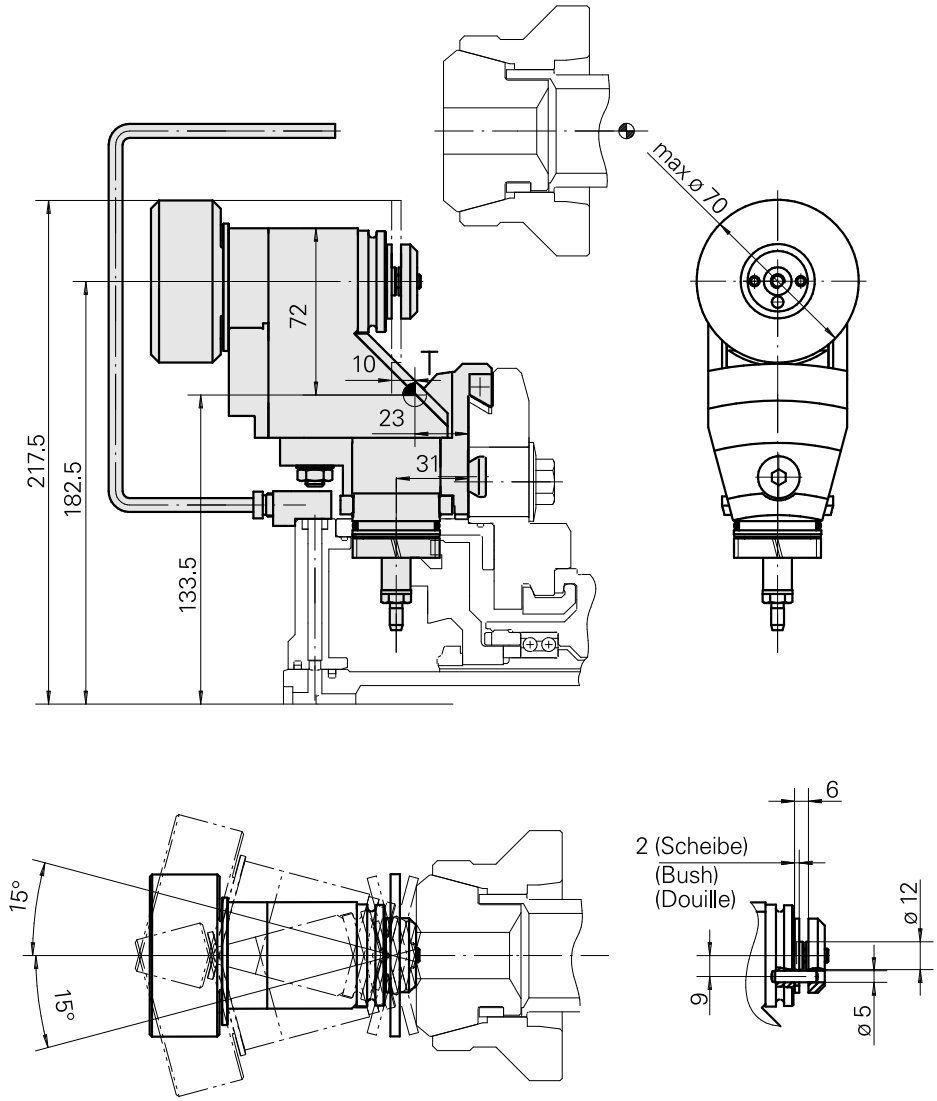
Technical data

Shank TNL	Circular prism
Drive	Overall drive
Fixation TNL	Central tensioning screw
Speed ratio	2:1
Cooling	external
Pressure	30 bar
Mounting	D12
INDEX TRAUB products	TNK36 • TNL26



Note

Can only be used on turrets with an X axis!



Documents

No downloads available for this product

Accessories

Optional accessories

Other accessories

[Conical ring 6D](#)

Product ID : 10057204

Previous product ID : 314739

[Cap screw 406-612](#)

Product ID : 10067675

Previous product ID : 314740

[SOCKET HD.SCREW 5X12](#)

Product ID : 10610247

Previous product ID : 410260.0512

[Block](#)

Product ID : 10944442

Previous product ID : 986186

[Tube 6 x 1](#)

Product ID : 10239972

Previous product ID : 324710.0610
