

## Adaptor

### Technical features

TH accessories category

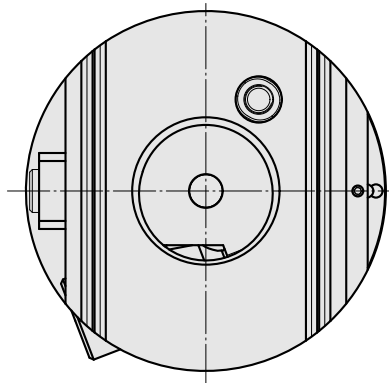
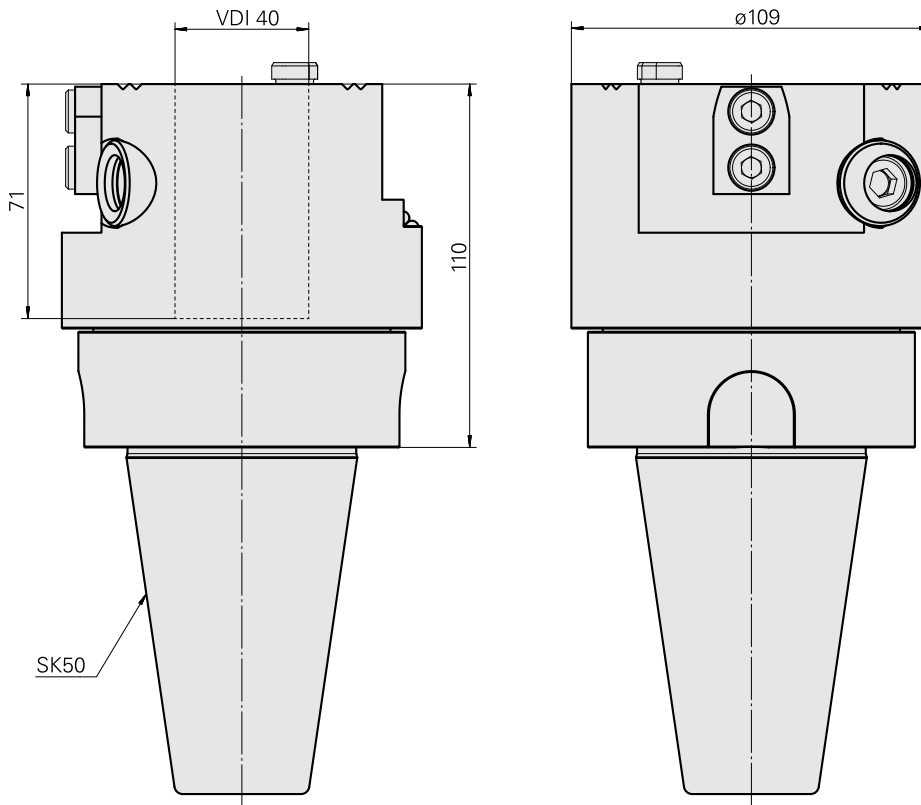
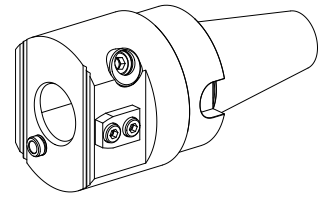
Adapter for presetting units

Mounting

SK50

Tool mounting

VDI 40



## **Documents**

No downloads available for this product