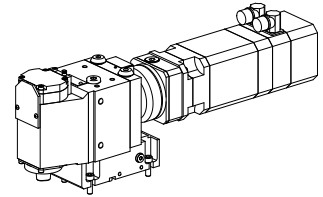


## Polygon turning unit MS52 5:1 INDEX CAPT

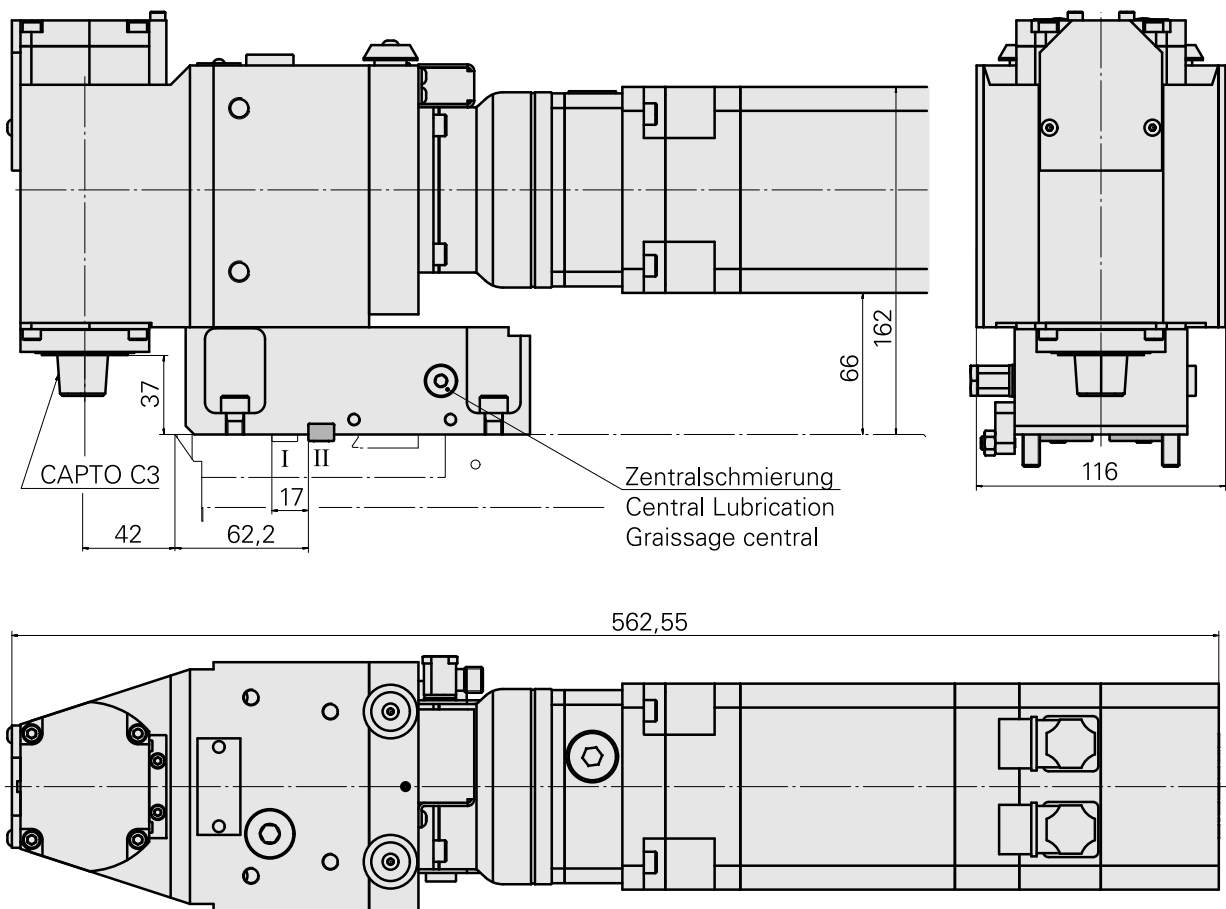
### Technical data

<b>Slide system MS</b>	MS52
<b>Drive</b>	Direct drive
<b>Fixation MS</b>	Splined key/pin
<b>Speed ratio</b>	5:1
<b>Mounting</b>	INDEX CAPTO C3
<b>X [mm]</b>	42 (1.65")
<b>Y [mm]</b>	–
<b>Z [mm]</b>	37 (1.46)
<b>INDEX TRAUB products</b>	MS52C • MS52-6.3



### Note

Can only be used on the cross slide! The unit must be connected to a central lubrication system! The machine must have a preparation for polygon turning! The unit may only be used in combination with any of the specified motors and the corresponding UNIT!  
Motor (AC), 3 Nm – 10973215 (Siemens 1FT6044-4AK71-4AG1) included.  
UNIT 151



---

## Documents

No downloads available for this product

## Accessories

Required for operation

### [Cable kit, 5m im Arbeitsraum](#)

Product ID : 10912003

Previous product ID : GM5702.9055

---

### [Cable](#)

Product ID : 10147468

Previous product ID : 489904.2531

Electrical assemblies Electr. assembly lines	Length 5000 Millimeter	Cross-section 0.25 Square millimeter	Number of wires/poles (ST) 3 Piece
Current 4 Ampere	Voltage 24 Volt • 30 Volt	Voltage type DC=	Plug connection/type M8 • M12
YE - yellow	Protection class IP67	Shield no - unshielded	Insulating material PUR

### [Assembly parts](#)

Product ID : 10963201

Previous product ID : W00031.0005

---

Optional accessories

**Other accessories**

### Adaptor

Product ID : 10910688

Previous product ID : W9991073

TH accessories  
category  
Adaptors INDEX CAPTO  
C3

Mounting  
Milling shaft D32

### Base element

Product ID : 10269925

Previous product ID : 223800.2301

TH accessories  
category  
Base body, 3-fluted

Mounting  
Milling shaft D27

### Cassette

Product ID : 10305934

Previous product ID : W9990295

TH accessories  
category  
Cassette, left

Mounting  
for DC.. 11T3..

### Cassette

Product ID : 10654226

Previous product ID : W9990294

TH accessories  
category  
Cassette, right

Mounting  
for DC.. 11T3..