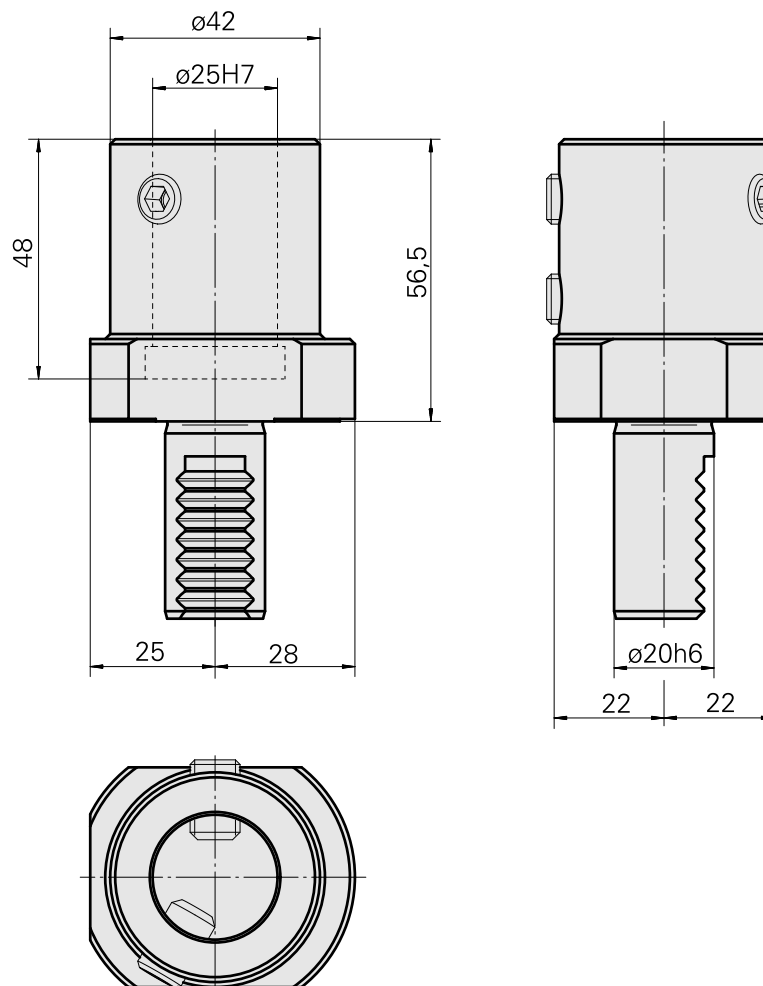
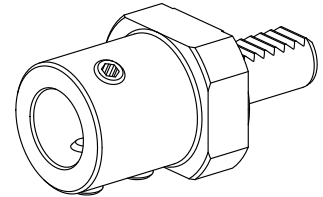


## Drilling tool holder VDI 20 DIN 1835 B/E, Form E1

### Technical data

Shank VDI	VDI 20
Drive	not live
Fixation VDI	none
Cooling	internal
Pressure	80 bar
Mounting	DIN 1835 B/E D25
reversible 180°	no
Data carrier	check tool station bore
X [mm]	56.5 (2.22")
Y [mm]	-
Z [mm]	-



## **Documents**

No downloads available for this product

## **Accessories**

Optional accessories

### **Other accessories**

[Mounting sleeve with collar D25](#)

Product ID : 10070544

Previous product ID : W62221.41--

---