

Mount TNL32/TNK42

Technical data

TH accessories category

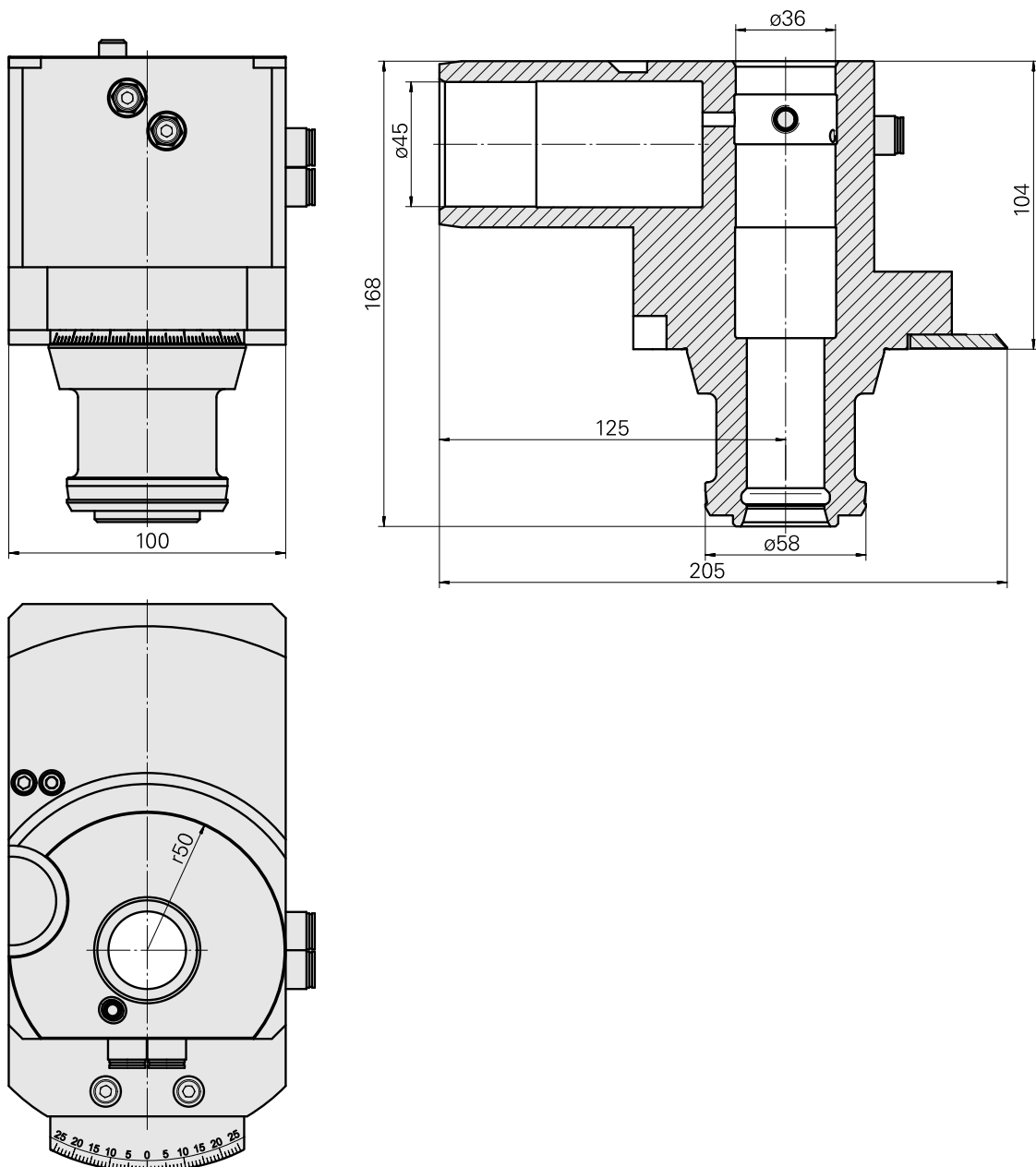
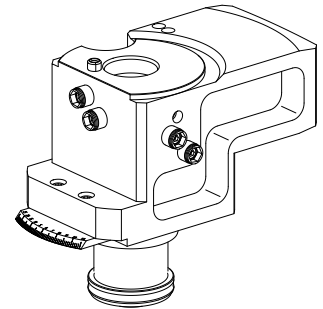
Tool mounting

INDEX TRAUB products

Adapter pre-adjustment block

Compact shank 45/Shank 36

TNL32



Documents

Product notes

[DE \(pdf\)](#)

[EN \(pdf\)](#)

[FR \(pdf\)](#)