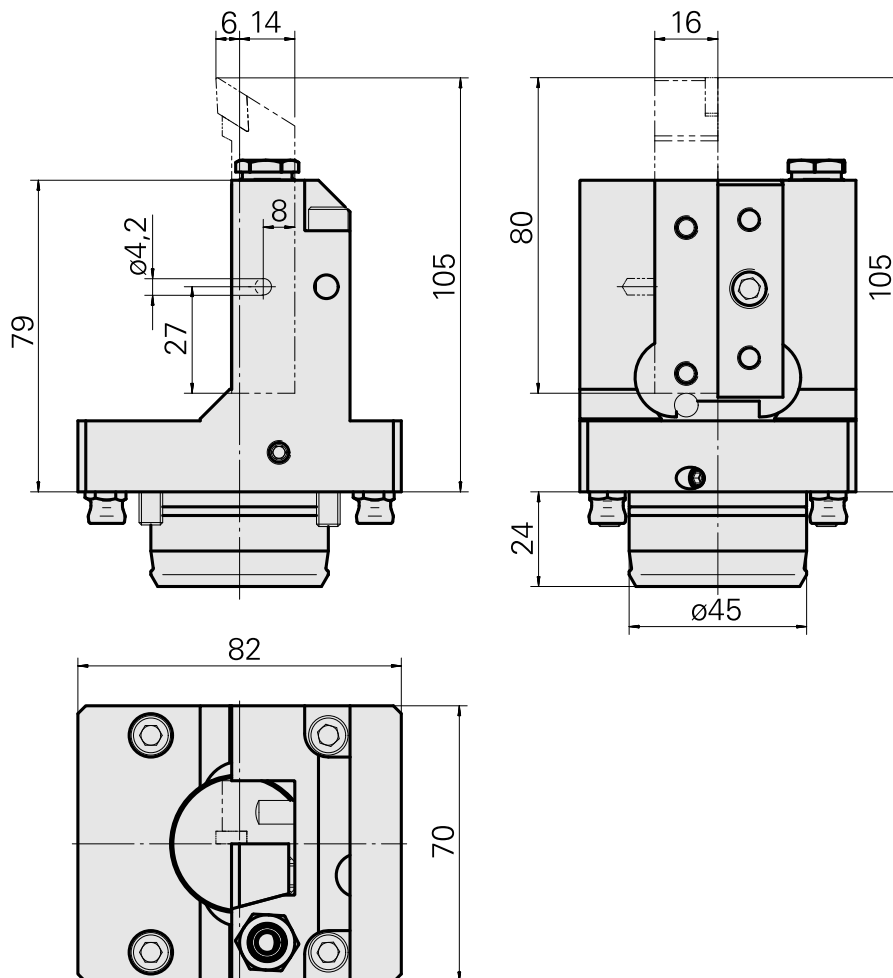


## Turning tool holder KPS 45 square 16x16

### Technical data

<b>Shank KPS</b>	KPS 45
<b>Drive</b>	not live
<b>Cooling</b>	external and internal
<b>Mounting</b>	Square 16x16
<b>Pressure</b>	80 bar
<b>X [mm]</b>	79 (3.11")
<b>Y [mm]</b>	-
<b>Z [mm]</b>	-14 (-0.55)
<b>INDEX TRAUB products</b>	TNL18 • TNL20 • TNL32-11 • TNL32 • TNL32-11 compact • TNL20-11 • TNL32 compact • TNK40.2-10 • TNK40.2-8 • TNL20.2



---

## Documents

No downloads available for this product

## Accessories

### Optional accessories

#### Tool holder accessories

#### [Coolant tube, L=100 mm \(3.93"\)](#)

Product ID : 10346684

Previous product ID : W9990559

TH accessories  
category  
Cooling lubricant tube

Mounting  
M6

#### Other accessories

#### [Cover f. Drehhalter 16x16](#)

Product ID : 10141942

Previous product ID : W9991072

---

#### [Coolant Nozzle](#)

Product ID : 11031912

Previous product ID : W67500.3208

---

#### [Nozzle Kugel D10 - Bohrung D2 40°](#)

Product ID : 10072335

Previous product ID : 910693

---

#### [BUSHING 10 D x 6 D x 12,5](#)

Product ID : 10670360

Previous product ID : W67530.0824

---

---

HOLLOW SCREW M14x1 M14x1

Product ID : 10105238  
Previous product ID : W67530.0818

---

Nozzle M6 mit D1,6

Product ID : 10147428  
Previous product ID : W00019.0216

---

Grub screw M14x1

Product ID : 10231477  
Previous product ID : P68451.90

---