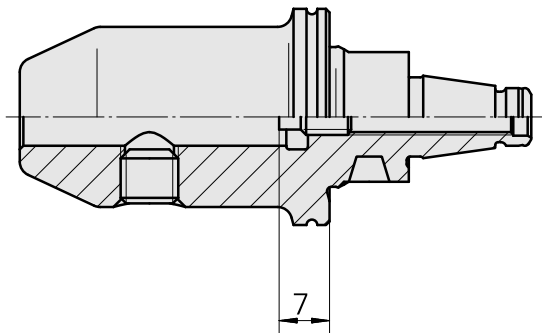
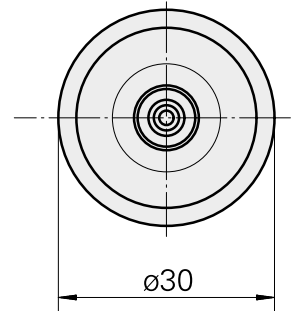
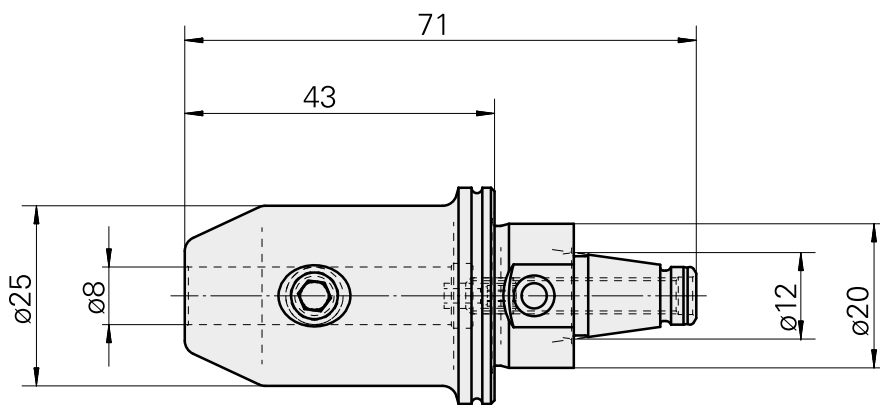
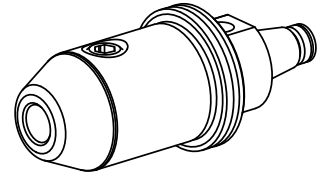


WFB 20-12 D8

Technical data

TH accessories category	WFB 20-12
Mounting	D8
Quick change inserts	Weldon mounting



Documents

No downloads available for this product

Accessories

Optional accessories

Other accessories

[Adjusting screw M 5x10](#)

Product ID : 10674886

Previous product ID : 326793

[Clamping screw M 8x7,5 \(108AWS\)](#)

Product ID : 10078331

Previous product ID : 326790
