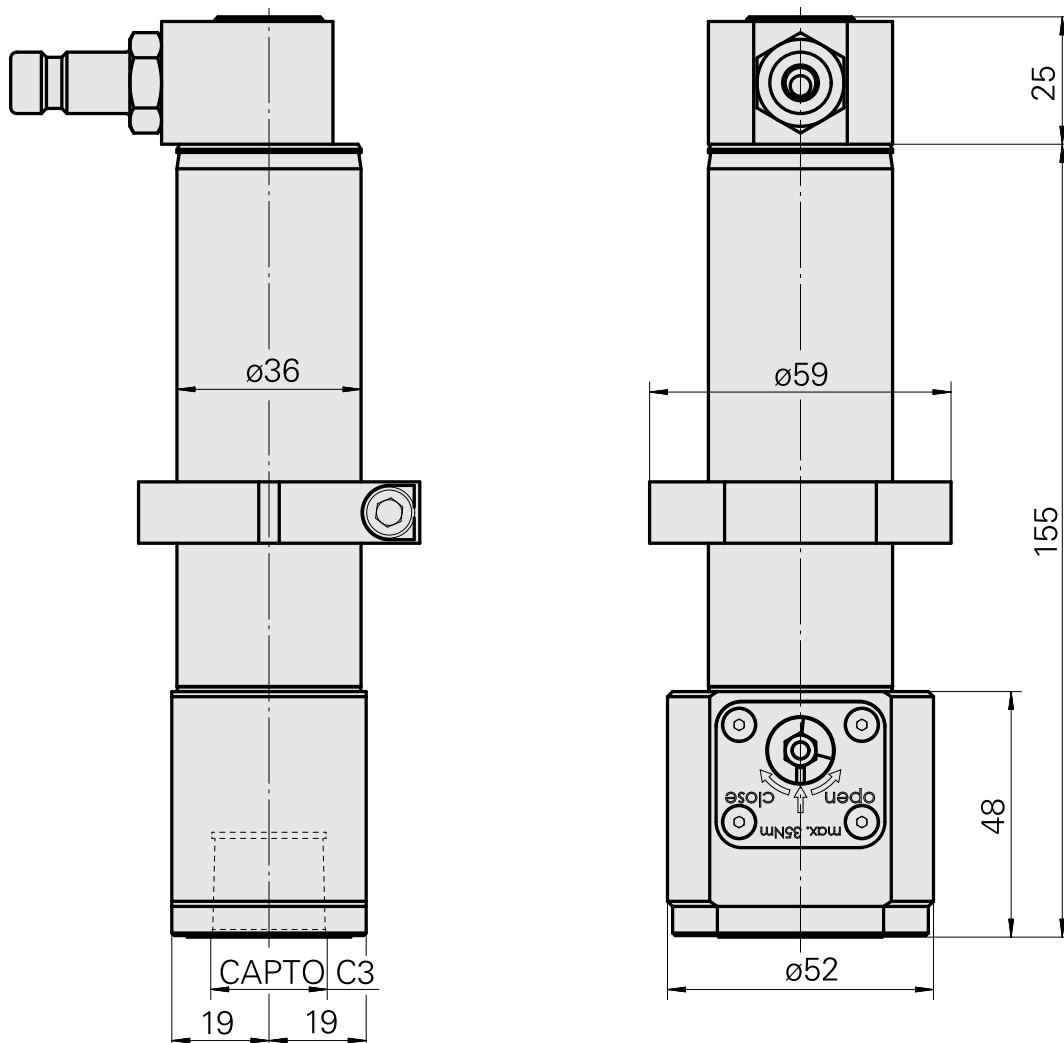
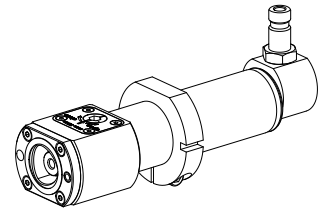


Drilling tool holder INDEX CAPTO C3

Technical data

Drive	not live
Fixation MS	Clamping ring D36
Cooling	internal
Pressure	80 bar
Mounting	INDEX CAPTO C3
X [mm]	–
Y [mm]	–
Z [mm]	–
INDEX TRAUB products	MS32C • MS52C • MS32-6.2 • MS40-6 • MS40-8 • MS52-6.3 • MS32-6.3



Documents

Product notes

[FR \(pdf\)](#)

[EN \(pdf\)](#)

[DE \(pdf\)](#)

Accessories

Optional accessories

Other accessories

[QUICK COUPLING SP-006-0-WR513-11-2 Serie LP](#)

Product ID : 10837142

Previous product ID : 474940.0112

[QUICK DISCONNECT FITTING SP-006-1-WR013-11 Serie LP](#)

Product ID : 10186287

Previous product ID : 474946.25

[Adapter INDEX CAPTO C3 rotating](#)

Product ID : 10925971

Previous product ID : WZ9990.3000F

[Adapter INDEX CAPTO C3 fixed](#)

Product ID : 12062333

Previous product ID :
