

Mount

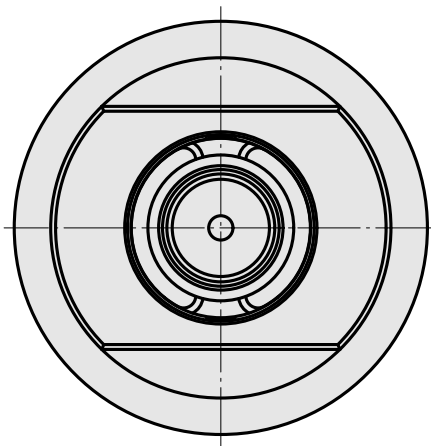
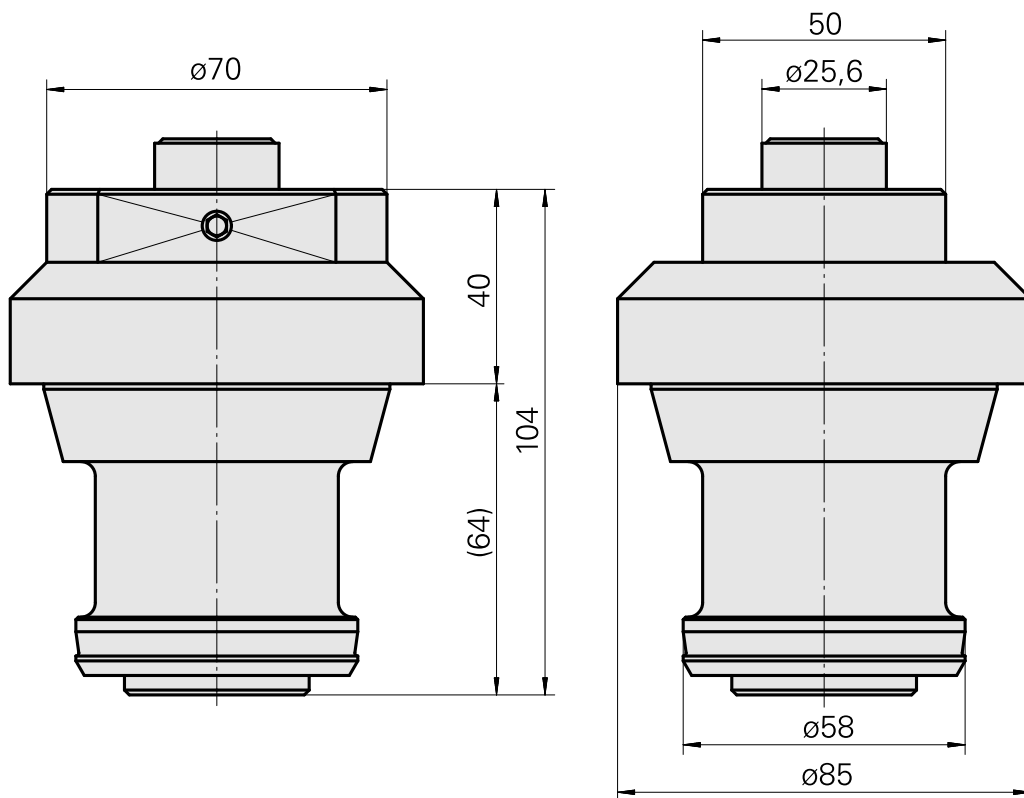
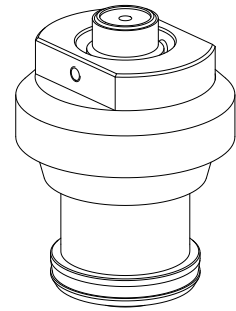
Technical data

TH accessories category

Adapter pre-adjustment block

Tool mounting

HSK 50



Documents

No downloads available for this product