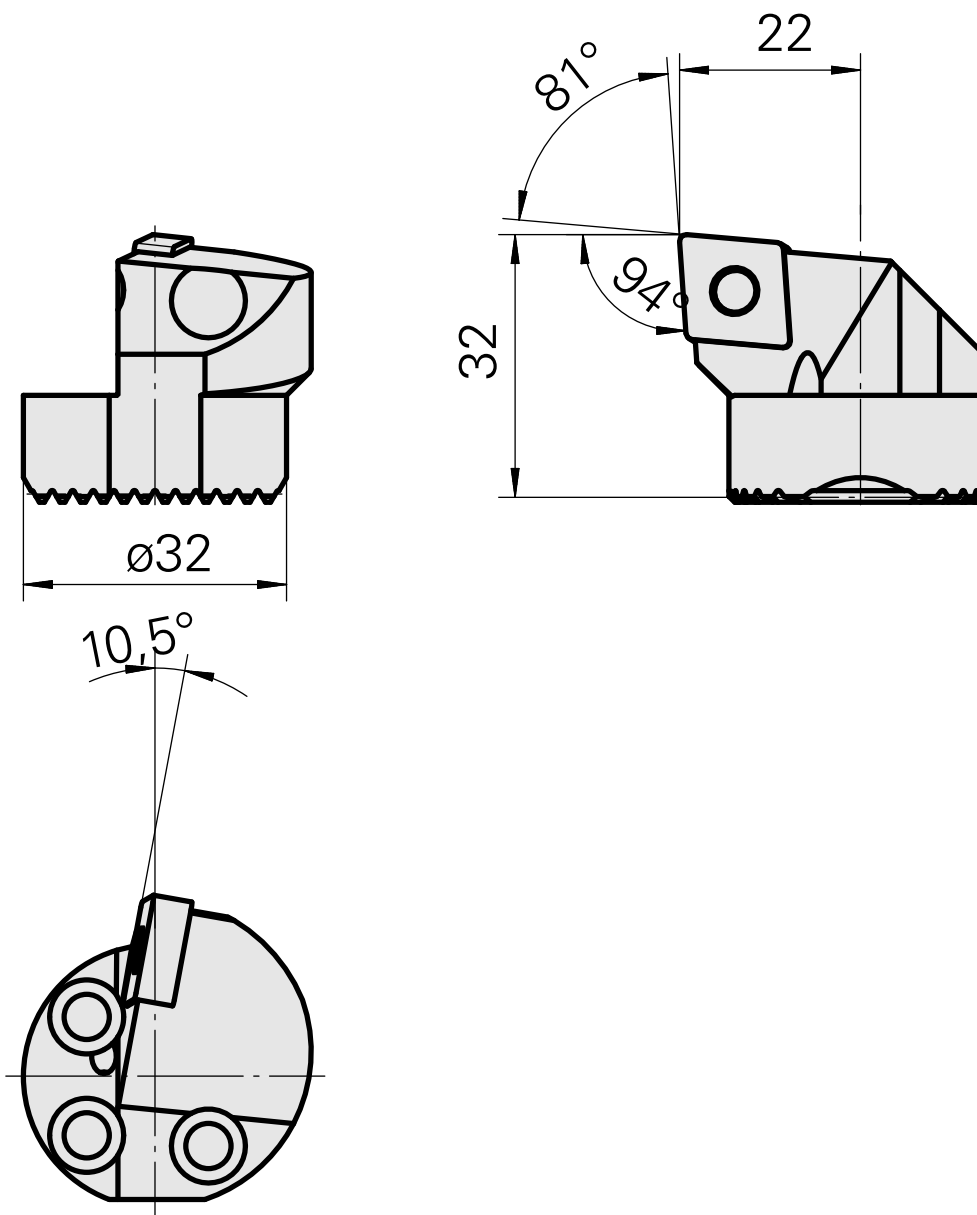


## Boring head for CN.. 1204..

### Technical data

<b>Mounting</b>	for CN.. 1204..
<b>Cooling</b>	internal
<b>Pressure</b>	50 bar
<b>X [mm]</b>	32 (1.26")
<b>Z [mm]</b>	22 (0.87)
<b>INDEX TRAUB products</b>	G220.3 • R200 • TNX65/42 • TNX220.3



10726574  
W9990163

**INDEX**

---

## **Documents**

No downloads available for this product

## **Accessories**

Required for operation

[Spare parts 315003](#)

Product ID : 10919485

Previous product ID : W00014.0016

---