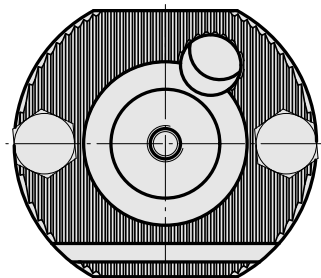
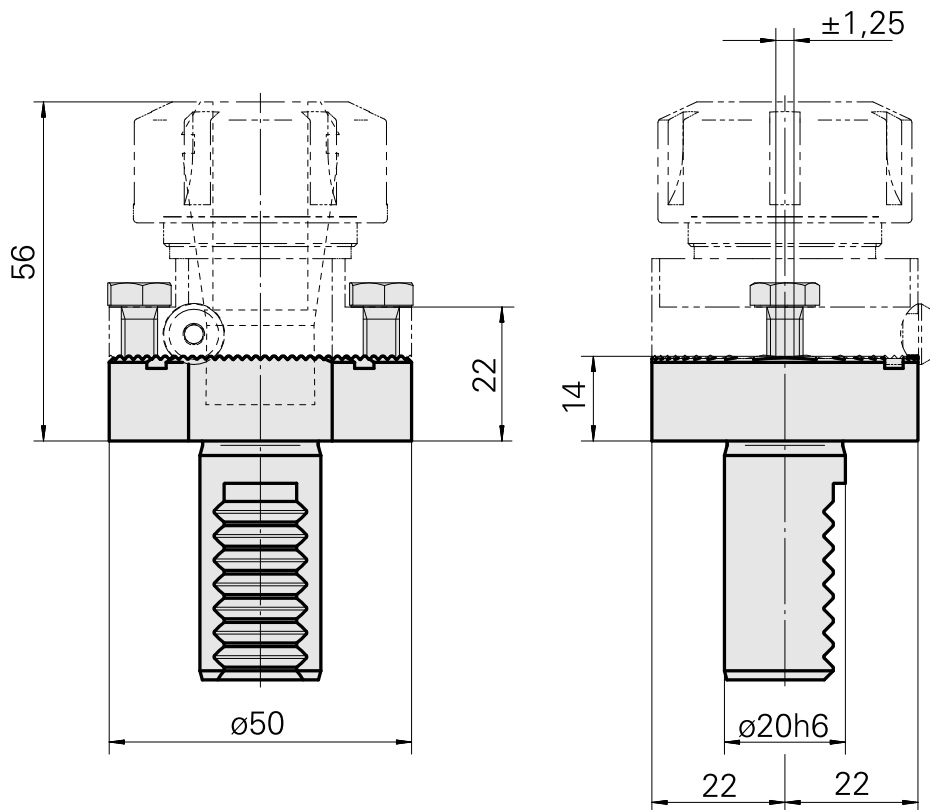
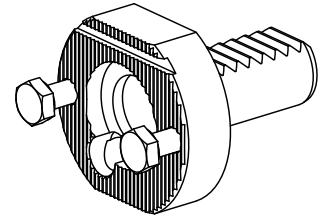


Basic holder VDI 20, vertically adjustable

Technical data

Shank VDI	VDI 20
Drive	not live
Fixation VDI	none
Pressure	20 bar
reversible 180°	no
X [mm]	14 (0.55")
Y [mm]	-
Z [mm]	-



Documents

No downloads available for this product

Accessories

Optional accessories

Tool holders with VDI shank

[Drill holding block D20 \(0.79 "\)](#)

Product ID : 10099852

Previous product ID : W9990086

Drive not live	Cooling external	Pressure 20 bar	Mounting D20
X [mm] 40 (1.57")	Y [mm] –	Z [mm] –	INDEX TRAUB products C42/65 • G160 • G300 • A200-6 • ABC • C100 • C200 • G200 • G200.2 • G220 • G250 • ABC.2

[Drill holding block ER25](#)

Product ID : 10285739

Previous product ID : W9990085

Drive not live	Cooling internal	Pressure 20 bar	Mounting ER25
X [mm] 42.5 (1.67")	Y [mm] –	Z [mm] –	INDEX TRAUB products C42/65 • G160 • G300 • A200-6 • ABC • C100 • C200 • G200 • G200.2 • G220 • G250 • ABC.2