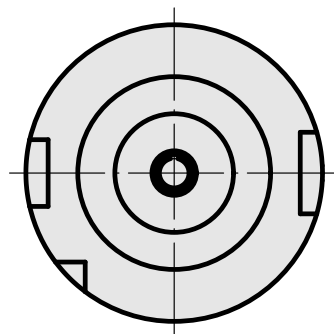
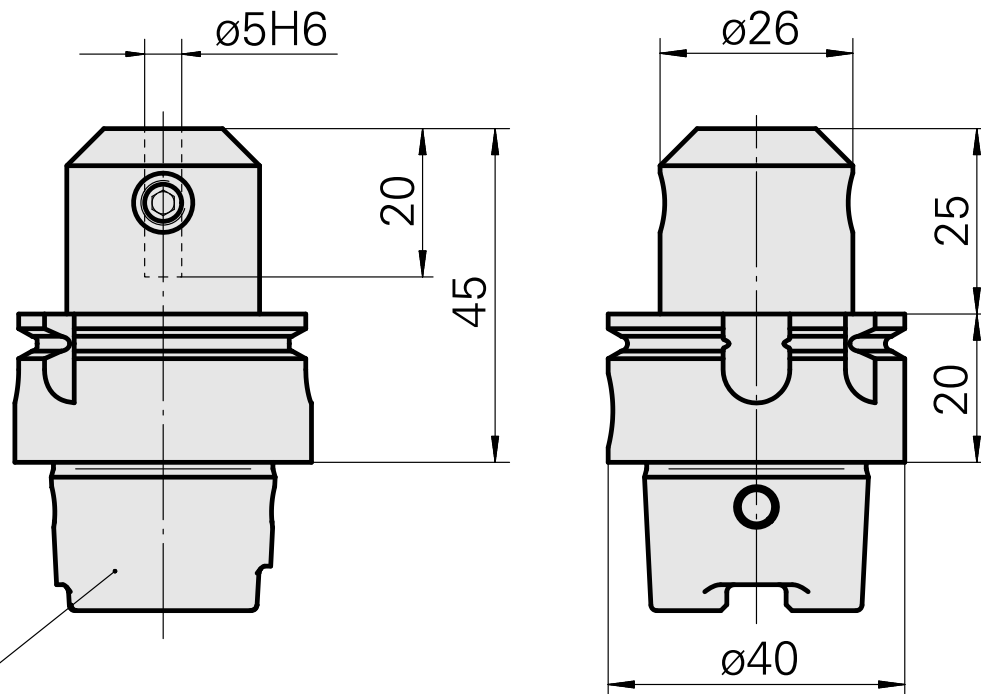
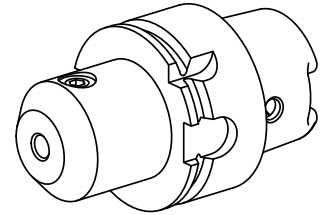


## Drilling tool holder HSK 40 A DIN 1835 B

### Technical data

|                             |   |
|-----------------------------|---|
| <b>Shank HSK</b>            | HSK 40  |
| <b>Form HSK</b>             | A   |
| <b>Mounting</b>             | DIN 1835 B/E D5   |
| <b>Cooling</b>              | internal  |
| <b>Pressure</b>             | 80 bar  |
| <b>X [mm]</b>               | 60 (2.36")  |
| <b>INDEX TRAUB products</b> | G160 • V100 • G200.2 • R200 •<br>TNX65/42 • G220.3 • TNX220.3 |



## Documents

No downloads available for this product

## Accessories

Required for operation

### [Socket wrench](#)

Product ID : 10532354

Previous product ID : WS7400.0010

TH accessories  
category  
Tool for KSS adapter

Mounting  
HSK 40 A/C

Optional accessories

### **Tool holder accessories**

### [Coolant adapter kit](#)

Product ID : 10581780

Previous product ID : WS7400.0020

TH accessories  
category  
Cooling lubricant  
transfer set

Mounting  
HSK 40 A/C

### [Coolant supply, max. 120 bar](#)

Product ID : 12024083

Previous product ID :

TH accessories  
category  
Cooling lubricant  
transfer set

Mounting  
HSK 40 A/C