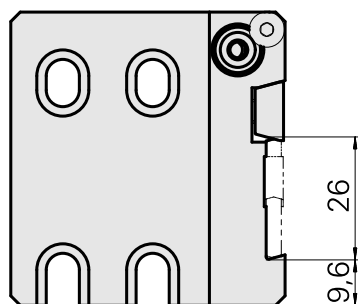
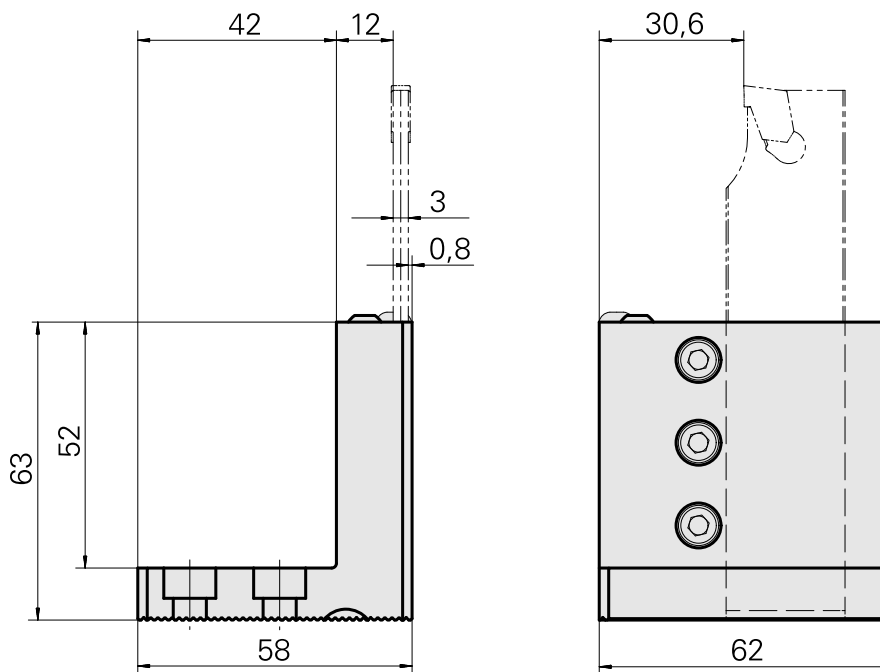
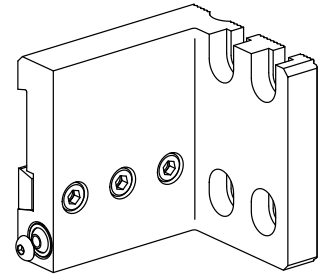


## Grooving tool holding block Trapezoid 26, vertically adjustable

### Technical data

<b>Drive</b>	not live
<b>Cooling</b>	external
<b>Pressure</b>	20 bar
<b>Mounting</b>	Trapezoid 26x4
<b>reversible 180°</b>	no
<b>X [mm]</b>	63 (2.48")
<b>Y [mm]</b>	±1.5 (±0.06)
<b>Z [mm]</b>	58 (2.28)
<b>INDEX TRAUB products</b>	C42/65 • G160 • ABC • C100 • C200 • G200 • G200.2 • G220 • ABC.2



## Documents

No downloads available for this product

## Accessories

Optional accessories

### Other accessories

#### [BALL SPRAY NOZZLE 10D/M4](#)

Product ID : 10679818

Previous product ID : 474550.0081

---

#### [lens head screw](#)

Product ID : 10878277

Previous product ID : 410243.0408

---