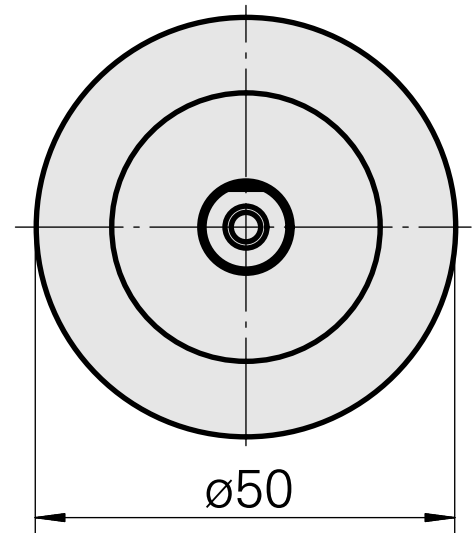
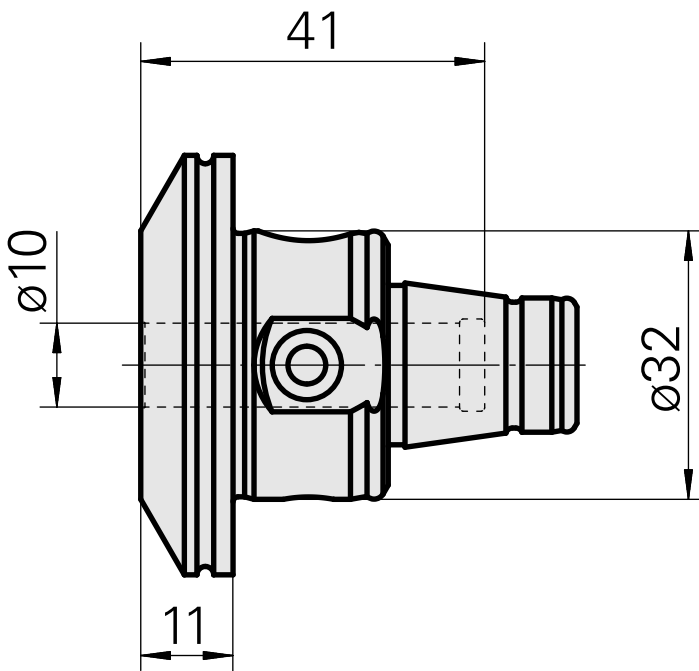
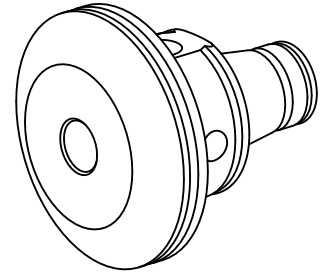


WFB 32-20 D10

Technical data

| | |
|-------------------------|-----------------|
| TH accessories category | WFB 32-20 |
| Mounting | D10 |
| Quick change inserts | Weldon mounting |



Documents

No downloads available for this product