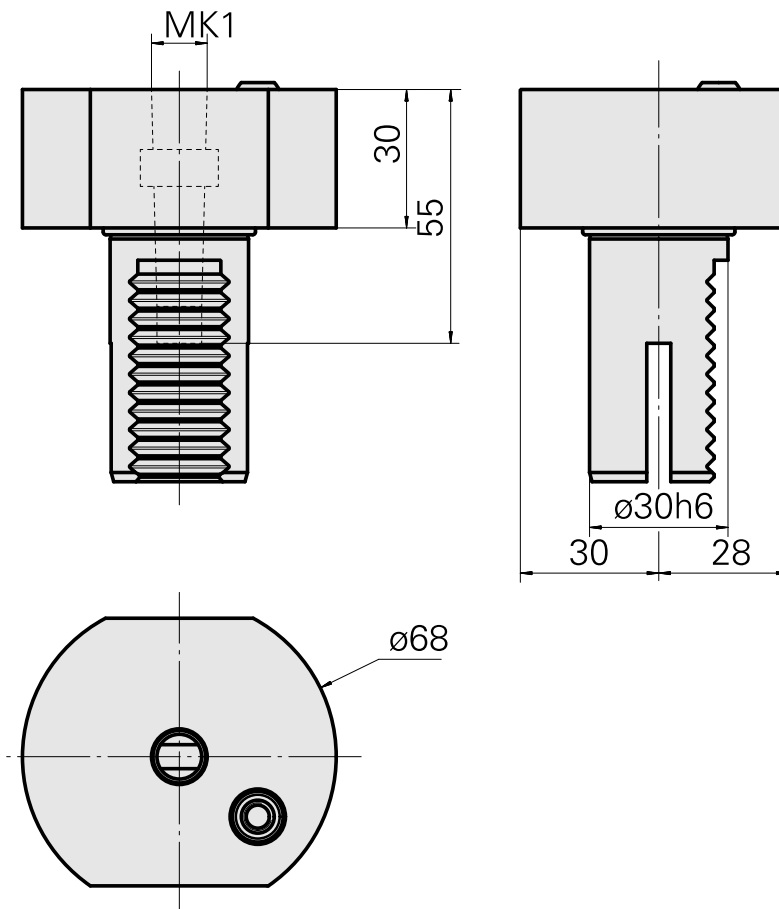
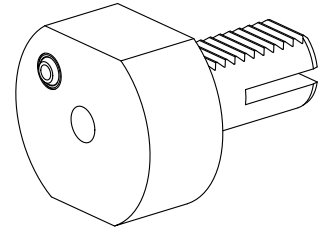


## Drilling tool holder VDI 30 MK1

### Technical data

Shank VDI	VDI 30
Drive	not live
Fixation VDI	none
Cooling	external
Pressure	20 bar
Mounting	MK1
reversible 180°	no
Data carrier	check tool station bore
X [mm]	30 (1.18")
Y [mm]	-
Z [mm]	-
INDEX TRAUB products	IT600 • V100 • V200 • V160C • V160G • V300 • TNA300



## Documents

No downloads available for this product

## Accessories

Optional accessories

### Other accessories

#### [SPRAY NOZZLE 14D/M6](#)

Product ID : 10358770

Previous product ID : 474550.0121

---