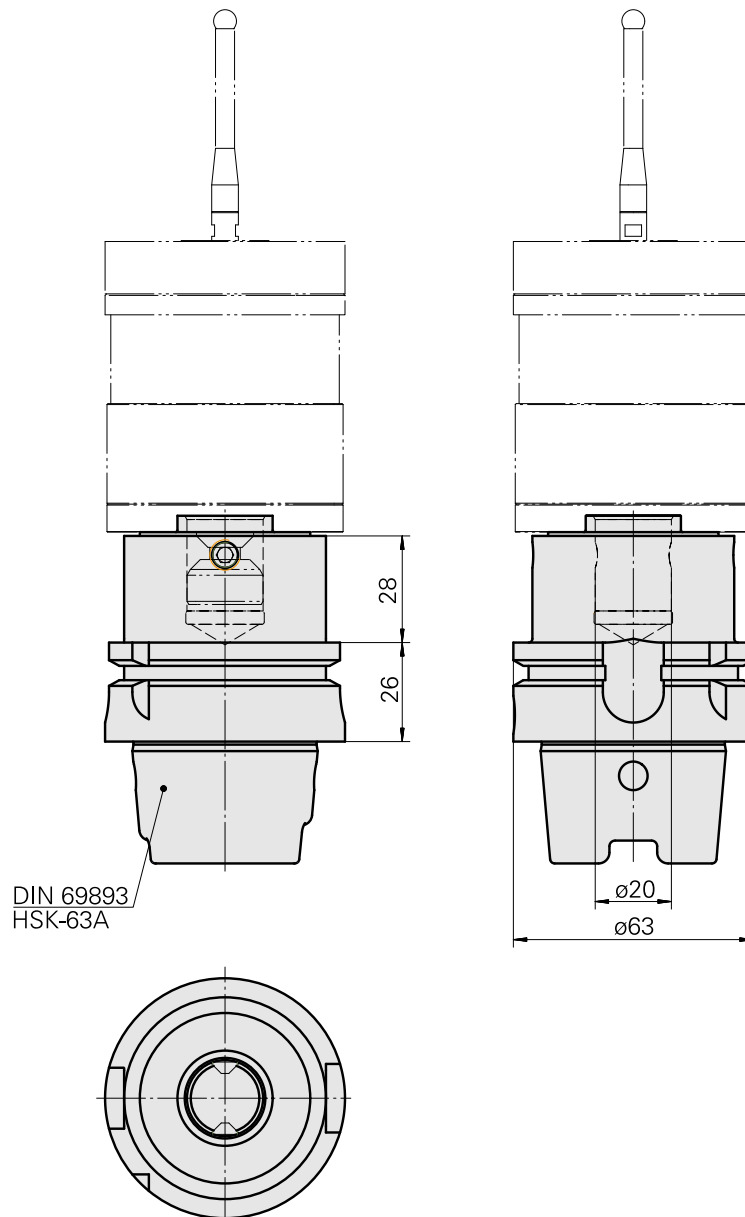
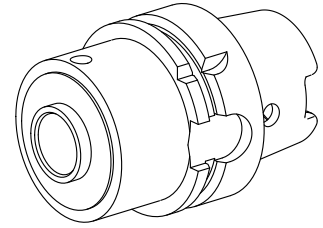


## Probe holder HSK 63 T Renishaw D20

### Technical data

Shank HSK	HSK 63
Form HSK	T
Mounting	Renishaw D20
X [mm]	59,3 (2,33")
Z [mm]	-
INDEX TRAUB products	G220.2



---

## Documents

No downloads available for this product

## Accessories

Required for operation

### [Probe holder](#)

Product ID : 12146926

Previous product ID :

---

### [Push-button insert](#)

Product ID : 12133466

Previous product ID :

---

### [Probe](#)

Product ID : 10338967

Previous product ID : 487542.1441

---

## Optional accessories

### Tool holder accessories

#### [Socket wrench](#)

Product ID : 10352082

Previous product ID : WS7800.0010

TH accessories  
category  
Tool for KSS adapter

Mounting  
HSK 63 A/C

---

[Coolant adapter kit HSK-A63](#)

Product ID : 11074450

Previous product ID : WS7800.0020

TH accessories  
category  
Cooling lubricant  
transfer set

Mounting  
HSK 63 A/C

**Other accessories**

[Case A-2033-7001](#)

Product ID : 10259626

Previous product ID : 487542.0911

---