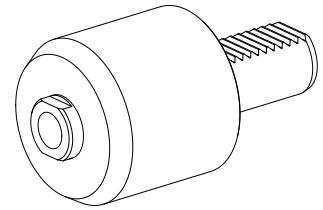

Center holder VDI 30 D15.4 (0.61 ")/Con, live

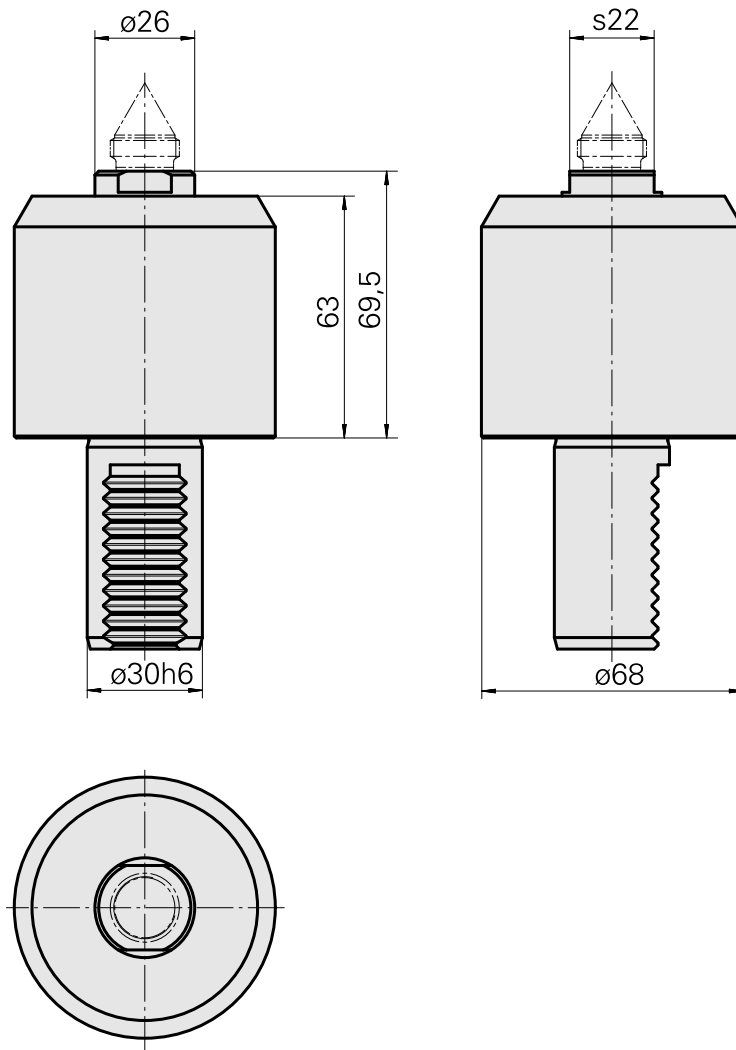
Technical data

| | |
|-----------------------------|--|
| Shank VDI | VDI 30 |
| Drive | not live |
| Fixation VDI | none |
| Mounting | D15.4/Cone 1:7.5 |
| reversible 180° | no |
| X [mm] | 69.5 (2.74") |
| Y [mm] | – |
| Z [mm] | – |
| INDEX TRAUB products | V100 • V200 • V160C • V160G • V300 • TNA300 |



Note

Center is replaceable!



Documents

No downloads available for this product

Accessories

Optional accessories

Other accessories

[Center Kegel 1:7.5](#)

Product ID : 10606287

Previous product ID : W9636-.21--
