

## Centering drill, center 60°

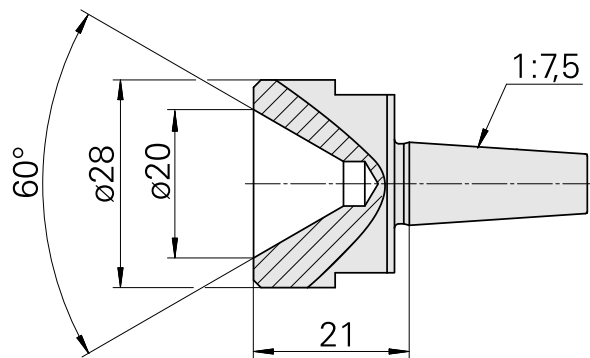
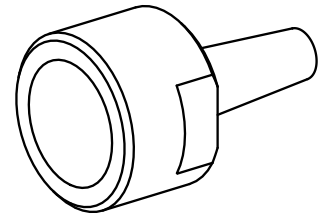
### Technical data

TH accessories category

Center, universal

Mounting

D11.2/Cone 1:7.5



## **Documents**

No downloads available for this product