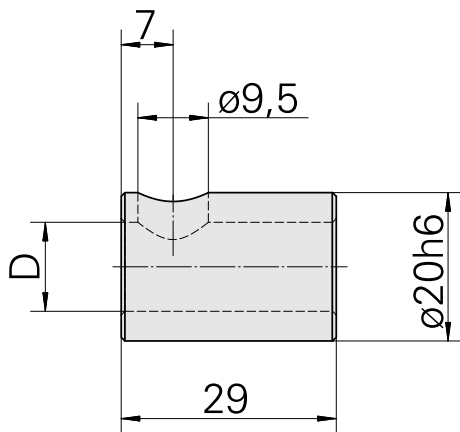


## Clamping sleeve D20/ 16mm

### Technical data

TH accessories category	Clamping sleeve
Mounting	D20
Tool mounting	16mm



## **Documents**

No downloads available for this product