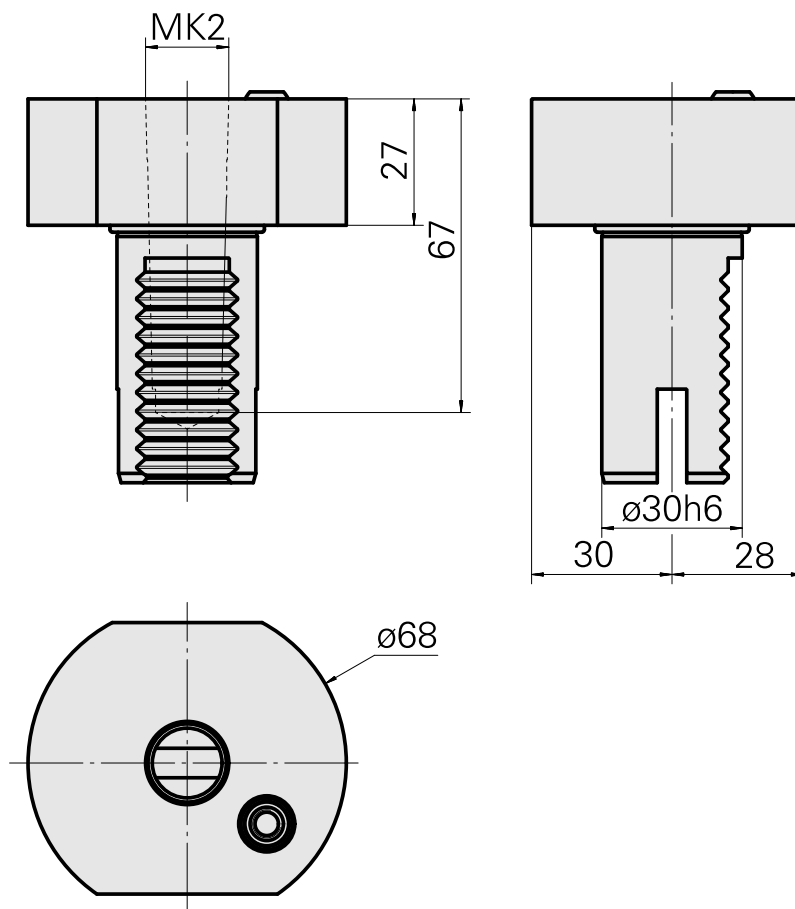
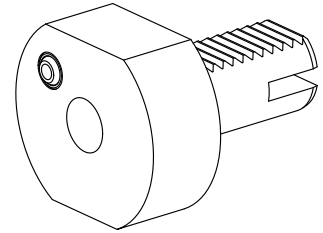


## Drilling tool holder VDI 30 MK2

### Technical data

|                             |  |
|-----------------------------|--|
| <b>Shank VDI</b>            | VDI 30   |
| <b>Drive</b>                | not live   |
| <b>Fixation VDI</b>         | none   |
| <b>Cooling</b>              | external   |
| <b>Pressure</b>             | 20 bar   |
| <b>Mounting</b>             | MK2  |
| <b>reversible 180°</b>      | no   |
| <b>Data carrier</b>         | check tool station bore                                |
| <b>X [mm]</b>               | 27 (1.06")   |
| <b>Y [mm]</b>               | -  |
| <b>Z [mm]</b>               | -  |
| <b>INDEX TRAUB products</b> | IT600 • V100 • V200 • V160C •<br>V160G • V300 • TNA300 |



## **Documents**

No downloads available for this product