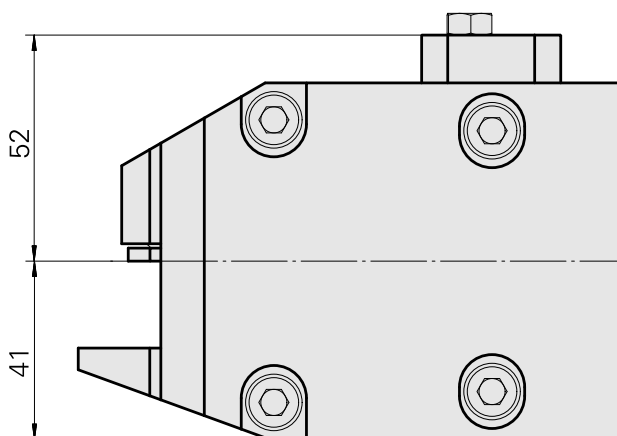
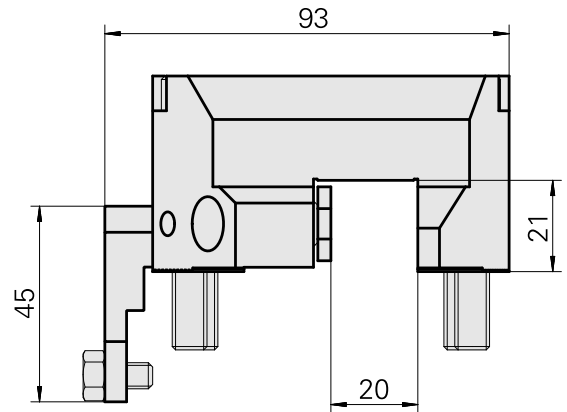
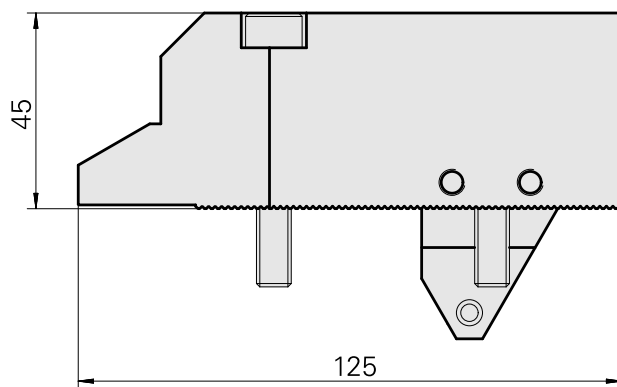
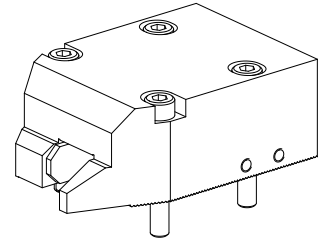


## Grooving tool holding block Square 20x20

### Technical data

|                             |                  |
|-----------------------------|------------------|
| <b>Drive</b>                | not live         |
| <b>Direction</b>            | left-handed run  |
| <b>Mounting</b>             | Square 20x20     |
| <b>X [mm]</b>               | 125 (4.92")      |
| <b>Y [mm]</b>               | -                |
| <b>Z [mm]</b>               | 45 (1.77)        |
| <b>INDEX TRAUB products</b> | MS52C • MS52-6.3 |



---

## Documents

No downloads available for this product

## Accessories

Optional accessories

### Tool holder accessories

#### [Angle, height 8 mm \(0.31"\), width 8 mm \(0.31"\)](#)

Product ID : 10271441

Previous product ID : W63300.0010

TH accessories  
category  
Compensation bracket

Mounting  
Square 20x20

#### [Angle, Height 4 mm, Width 4 mm](#)

Product ID : 10135472

Previous product ID : W63300.0020

TH accessories  
category  
Compensation bracket

Mounting  
Square 20x20