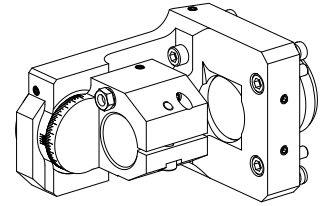

Basic holder KPS 45 D28 (1.10 "), 90°

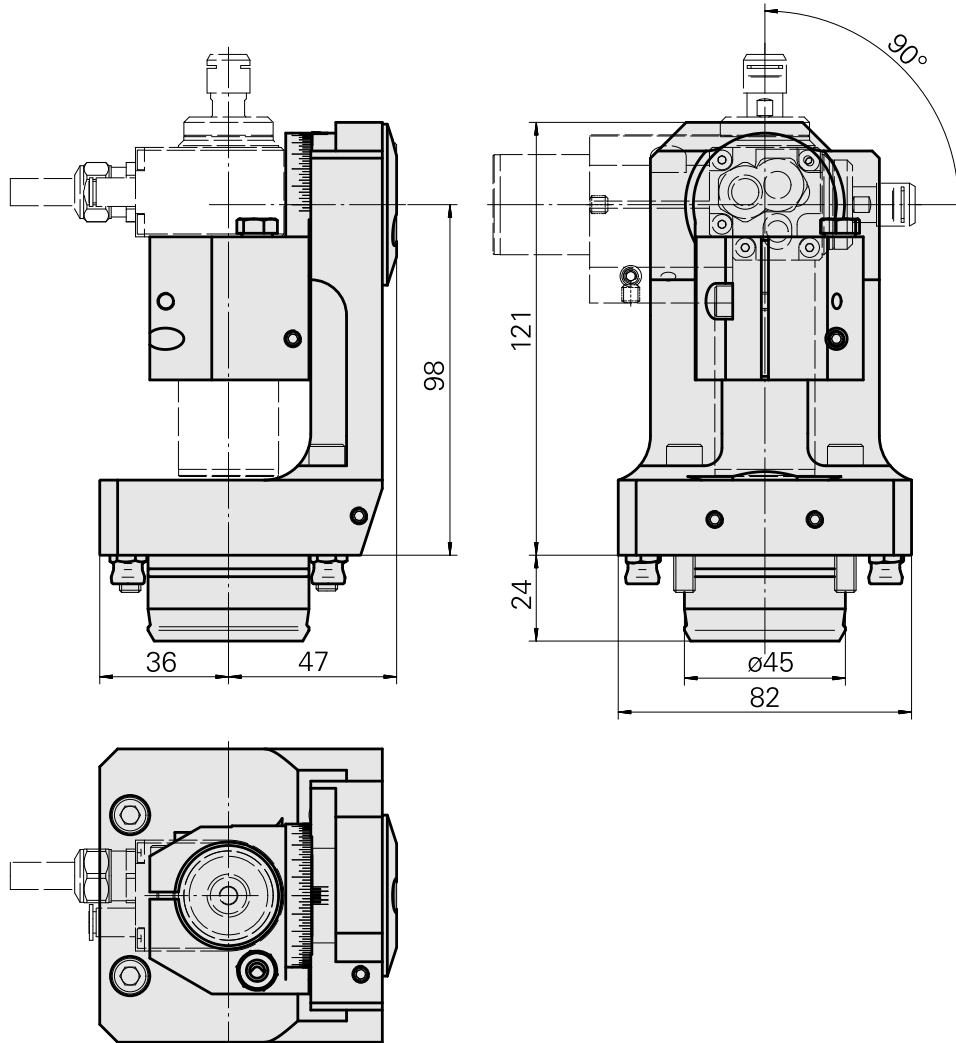
Technical data

| | |
|-----------------------------|--------------------------|
| Shank KPS | KPS 45 |
| Drive | not live |
| Cooling | external |
| Mounting | D28 |
| Pressure | 80 bar |
| X [mm] | 98 (3.86") |
| Y [mm] | – |
| Z [mm] | – |
| INDEX TRAUB products | TNL18 • TNL32-11 • TNL32 |



Note

The machine has to be "Ready for high-frequency spindle unit"!



Documents

No downloads available for this product

Accessories

Optional accessories

Tool holder accessories

[Coolant tube, L=100 mm \(3.93"\)](#)

Product ID : 10309869

Previous product ID : W9990658

TH accessories
category
Cooling lubricant tube

Mounting
D6

Other accessories

[Conical ring DIN 3862-6-St](#)

Product ID : 10528470

Previous product ID : 471060.0601

[THREADED BUSHING M10x1 Stahl verzinkt A3C](#)

Product ID : 10707394

Previous product ID : 471112.06

[Spindle Drive](#)

Product ID : 10158661

Previous product ID : 326548

[Spindle Drive](#)

Product ID : 10093553

Previous product ID : 327563
