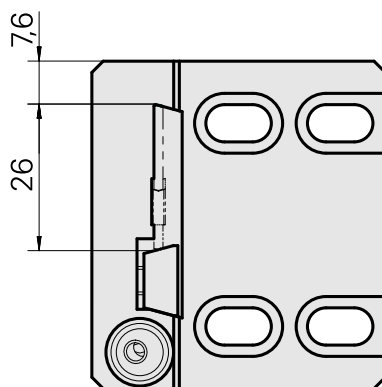
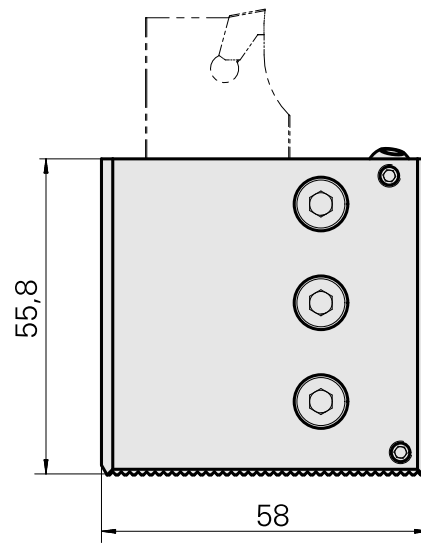
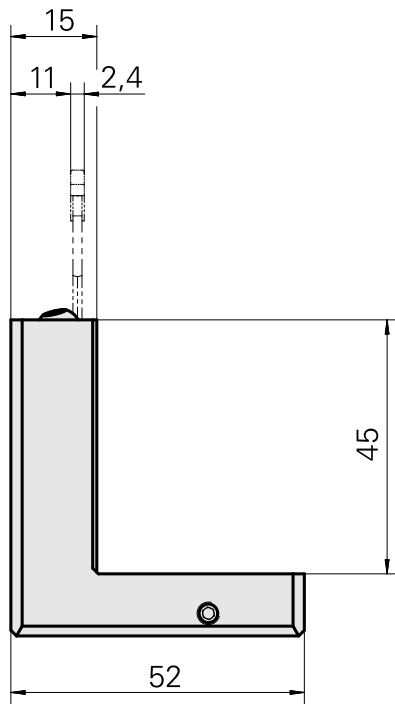
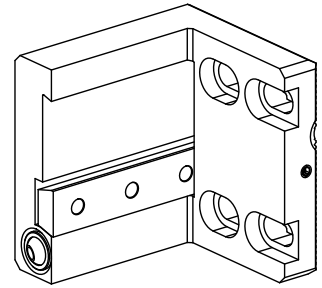


## Grooving tool holding block Trapezoid 26, horizontally adjustable

### Technical data

Drive	not live
Cooling	external
Pressure	20 bar
Mounting	Trapezoid 26x5
X [mm]	56 (2.20")
Y [mm]	-
Z [mm]	15 (0.59)
INDEX TRAUB products	C100



## **Documents**

No downloads available for this product

## **Accessories**

Optional accessories

### **Other accessories**

#### [BALL SPRAY NOZZLE 10D/M4](#)

Product ID : 10679818

Previous product ID : 474550.0081

---