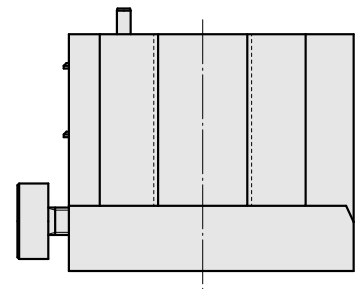
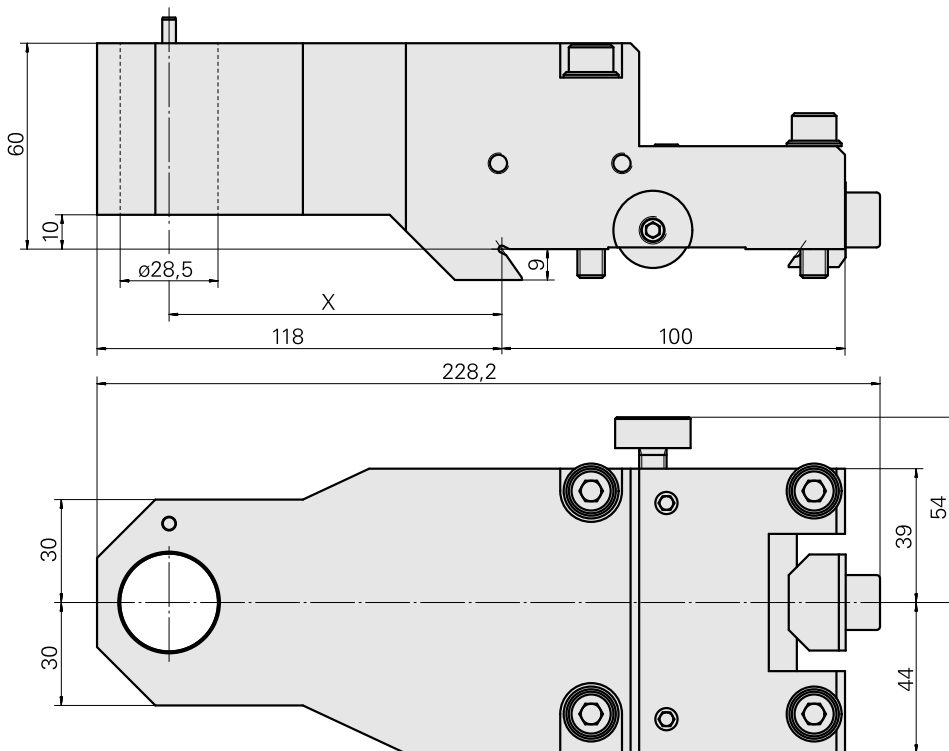
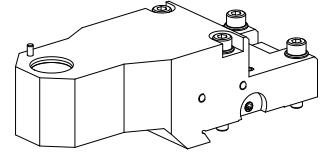


## Basic holder A200 Hydraulic expan. Chuck

### Technical data

Slide system MS	A200
Drive	not live
Fixation MS	Dovetail
Mounting	Hydraulic expan. Chuck D28.5
X [mm]	97 (3.82")
Z [mm]	10 (0.39)
INDEX TRAUB products	A200



X 97

---

## Documents

### Product notes

[DE \(pdf\)](#)

[EN \(pdf\)](#)

[FR \(pdf\)](#)

## Accessories

### Optional accessories

#### MS tool holders

##### [Blanking plug](#)

Product ID : 12013851

Previous product ID :

Drive not live	Fixation MS Clamping ring D28.5	X [mm] -	Y [mm] -
Z [mm] -			

##### [Calibrating tool](#)

Product ID : 12088616

Previous product ID :

Drive not live	Fixation MS Clamping ring D28.5	X [mm] -	Y [mm] -
Z [mm] -	INDEX TRAUB products MS24-6 • MS16-6 • MS16-6 Plus • MS22-6 • MS22-8		

#### Other accessories

##### [Not defined Standard MS22](#)

Product ID : 10132929

Previous product ID : WM3100.3150F

---