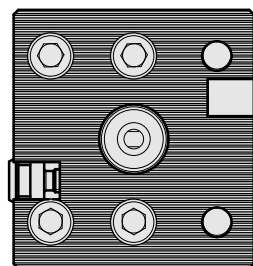
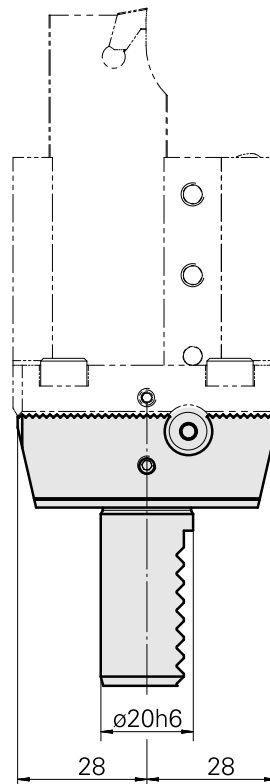
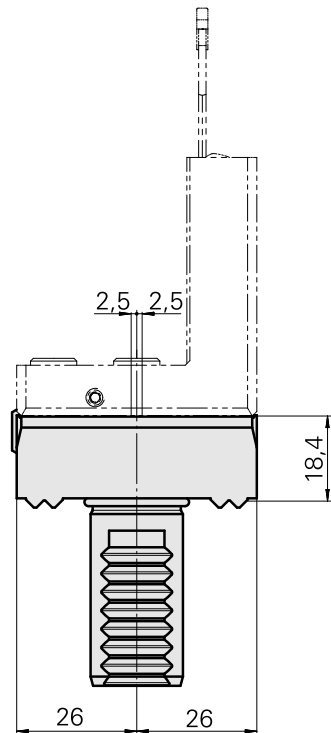
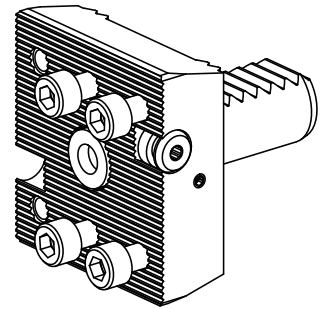


## Basic holder VDI 20, horizontally adjustable

### Technical data

Shank VDI	VDI 20
Drive	not live
Fixation VDI	W serration
reversible 180°	no
X [mm]	20 (0.79")
Y [mm]	–
Z [mm]	–
Tool turret type	Radial turret
INDEX TRAUB products	C100



## Documents

No downloads available for this product

## Accessories

### Optional accessories

#### Tool holders with VDI shank

#### [Grooving tool holding block Trapezoid 26, horizontally adjustable](#)

Product ID : 10469292

Previous product ID : W9990001

Drive not live	Cooling external	Pressure 20 bar	Mounting Trapezoid 26x5
X [mm] 56 (2.20")	Y [mm] –	Z [mm] 15 (0.59)	INDEX TRAUB products C100

#### [Grooving tool holding block Trapezoid 26, horizontally adjustable](#)

Product ID : 10303482

Previous product ID : W9990002

Drive not live	Cooling external	Pressure 40 bar	Mounting Trapezoid 26x5
X [mm] 56 (2.20")	Y [mm] –	Z [mm] 15 (0.59)	INDEX TRAUB products C100