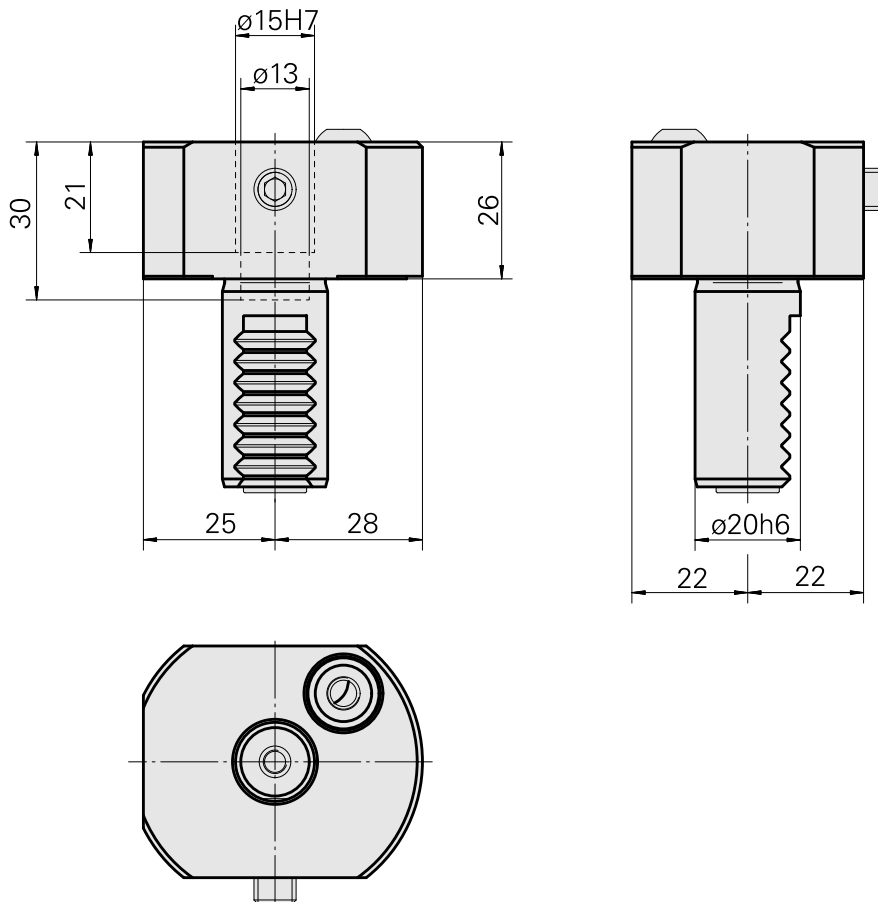
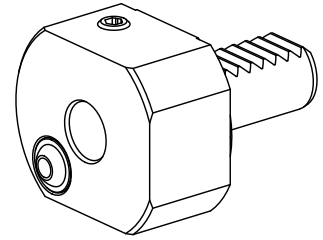


## Drilling tool holder VDI 20 D15

### Technical data

Shank VDI	VDI 20
Drive	not live
Fixation VDI	none
Cooling	external
Pressure	20 bar
Mounting	D15
reversible 180°	no
X [mm]	26 (1.02")
Y [mm]	–
Z [mm]	–
Tool turret type	Radial turret
INDEX TRAUB products	C42/65 • G160 • ABC • C100 • C200 • G200 • G200.2 • G220 • ABC.2



## Documents

No downloads available for this product

## Accessories

Optional accessories

### Other accessories

#### [Clamping sleeve D15](#)

Product ID : 10189891

Previous product ID : 993115.----

---

#### [SPRAY NOZZLE 14D/M6](#)

Product ID : 10358770

Previous product ID : 474550.0121

---