

Base element

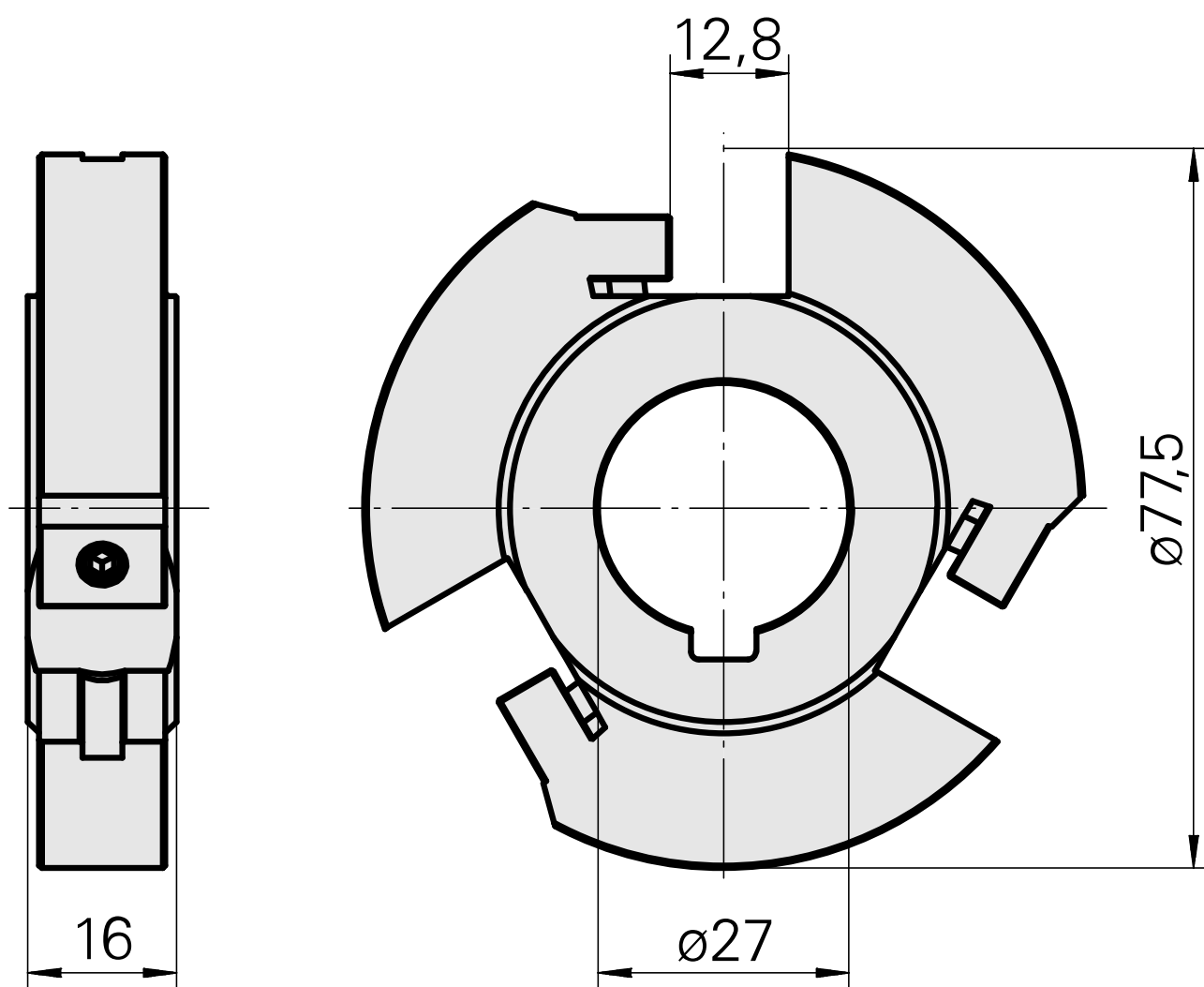
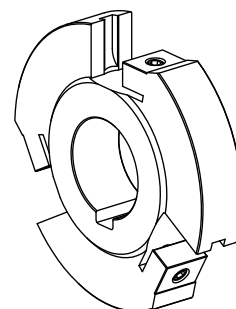
Technical data

TH accessories category

Mounting

Base body, 3-fluted

Milling shaft D27



Documents

No downloads available for this product

Accessories

Optional accessories

Other accessories

[Cassette](#)

Product ID : 10305934

Previous product ID : W9990295

TH accessories
category
Cassette, left

Mounting
for DC.. 11T3..

[Cassette](#)

Product ID : 10654226

Previous product ID : W9990294

TH accessories
category
Cassette, right

Mounting
for DC.. 11T3..