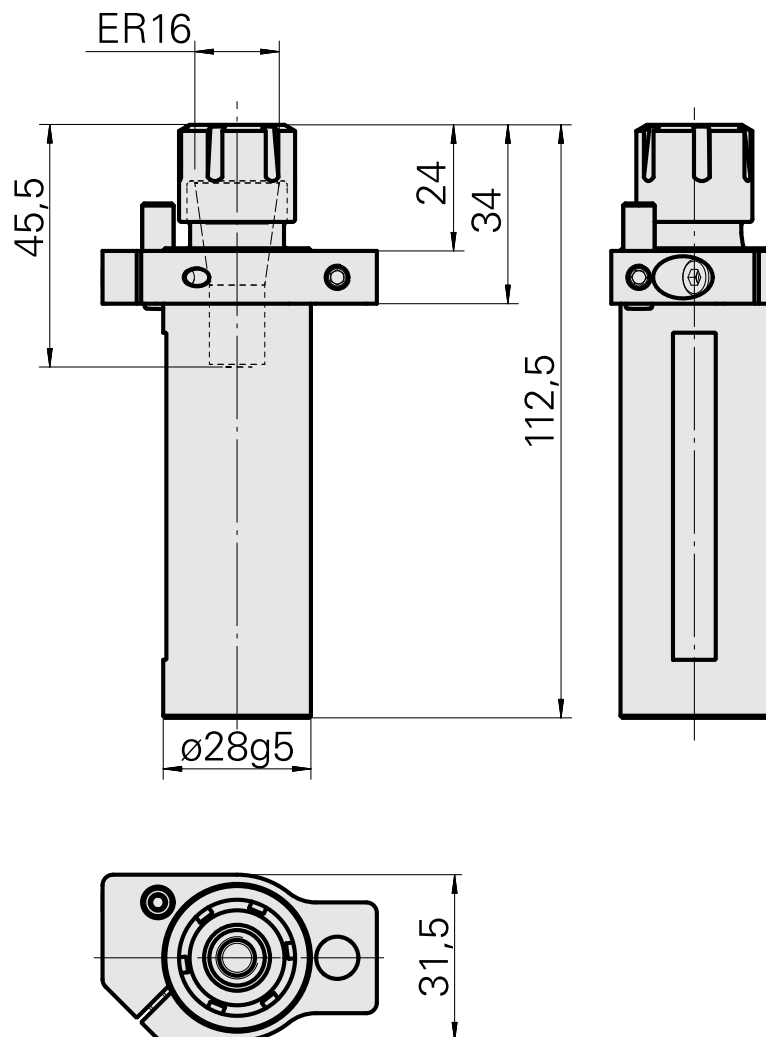
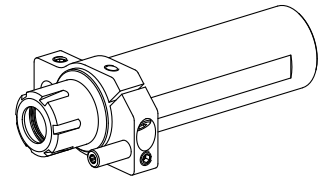


Drilling tool holder Shank 28 ER16

Technical data

| | |
|----------------------|-------------------|
| Shank TNL | Shank 28 |
| Drive | not live |
| Fixation TNL | Pre-centering pin |
| Cooling | internal |
| Pressure | 120 bar |
| Mounting | ER16 |
| X [mm] | - |
| Y [mm] | - |
| Z [mm] | 34 (1.34) |
| INDEX TRAUB products | TNL12 • TNL12.2 |



Documents

No downloads available for this product

Accessories

Required for operation

COOLANT TUBE COMPLETE

Product ID : 10255957

Previous product ID : 989156

CL feeder, fixed TNL12.2, Back/front working unit

Product ID : 12063156

Previous product ID :

Spanner 7111.16000

Product ID : 10621809

Previous product ID : 490219.2161

| | | | |
|--|------------------|----------------------|---|
| TH accessories category Tool | Mounting ER16 | Collet type ER 16 | Clamping nut type Female thread diameter reduced |
| Tools for Collet chucks Clamping nut wrench | | | |

Optional accessories

Tool holder accessories

Clamping nut

Product ID : 10178506

Previous product ID : 901939.6161

| | | | |
|---|------------------|----------------------|---|
| TH accessories category Clamping nut | Mounting ER16 | Collet type ER 16 | Clamping nut type Female thread diameter reduced |
|---|------------------|----------------------|---|

Other accessories

10266840
950506

INDEX

[Clamping collet](#)

Product ID : 10834596
Previous product ID : 901930.1---

[Clamping collet](#)

Product ID : 10589709
Previous product ID : W99903--

[tapping tool collet ET-1-16](#)

Product ID : 10542491
Previous product ID : 3230--

[tapping tool collet](#)

Product ID : 10865233
Previous product ID : WZ9990.9506F

[Collet chuck](#)

Product ID : 10870393
Previous product ID : W999065-

[Clamping collet, sealed](#)

Product ID : 10433061
Previous product ID : W999083-

[Spanner](#)

Product ID : 12083203
Previous product ID :
