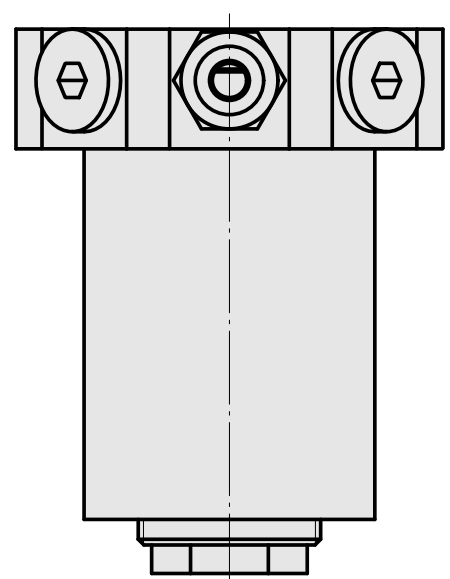
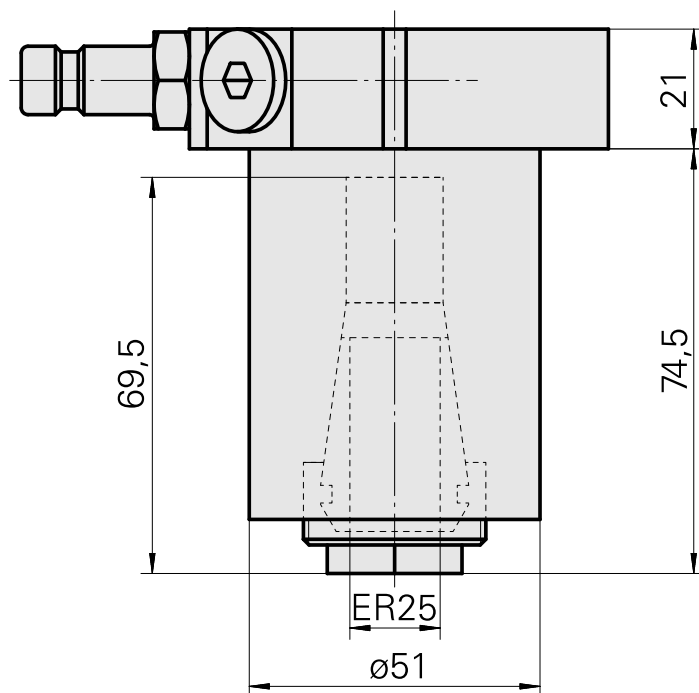
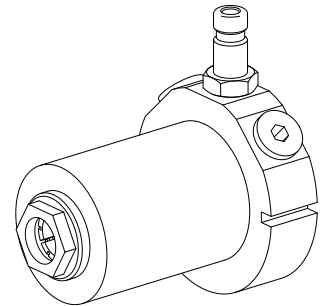


## Drilling tool holder ER25

### Technical data

<b>Drive</b>	not live
<b>Fixation MS</b>	Clamping ring D51
<b>Cooling</b>	internal
<b>Pressure</b>	80 bar
<b>Mounting</b>	ER25
<b>X [mm]</b>	-
<b>Y [mm]</b>	-
<b>Z [mm]</b>	74.5 (2.93)
<b>INDEX TRAUB products</b>	MS52C • MS52-6.3



---

## Documents

No downloads available for this product

## Accessories

Required for operation

### [Spanner](#)

Product ID : 10179444

Previous product ID : 490219.3251

TH accessories category Tool	Mounting ER25	Collet type ER 25	Clamping nut type Male thread
Tools for Collet chucks Clamping nut wrench			

### [Fork spanner](#)

Product ID : 10681489

Previous product ID : 203001.2427

---

## Optional accessories

### Tool holder accessories

### [Clamping nut](#)

Product ID : 10630063

Previous product ID : 901939.5251

TH accessories category Clamping nut	Mounting ER25	Collet type ER 25	Clamping nut type Male thread
---	------------------	----------------------	----------------------------------

### Other accessories

### [Clamping collet](#)

Product ID : 10206464

Previous product ID : 901930.3---

10226103  
W5190107

**INDEX**

---

[tapping tool collet ET-1-25](#)

Product ID : 10191234  
Previous product ID : 3224--

---

[tapping tool collet](#)

Product ID : 10256515  
Previous product ID : WZ9990.9507F

---

[Collet chuck](#)

Product ID : 10029756  
Previous product ID : W999067-

---