

Drilling tool holder KPS 45 ER25

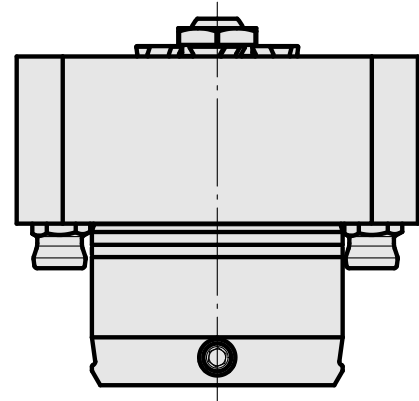
Technical data

Shank KPS	KPS 45
Drive	not live
Cooling	external and internal
Mounting	ER25
Pressure	80 bar
X [mm]	30 (1.18")
Y [mm]	–
Z [mm]	–
INDEX TRAUB products	TNL18



Note

Specially for TRAUB TNL machines having a turret with a B axis!



Documents

No downloads available for this product

Accessories

Required for operation

[Spanner](#)

Product ID : 10179444

Previous product ID : 490219.3251

TH accessories category Tool	Mounting ER25	Collet type ER 25	Clamping nut type Male thread
Tools for Collet chucks Clamping nut wrench			

Optional accessories

Tool holder accessories

[Clamping nut](#)

Product ID : 10630063

Previous product ID : 901939.5251

TH accessories category Clamping nut	Mounting ER25	Collet type ER 25	Clamping nut type Male thread
---	------------------	----------------------	----------------------------------

[Coolant tube, L=100 mm \(3.93"\)](#)

Product ID : 10346684

Previous product ID : W9990559

TH accessories category Cooling lubricant tube	Mounting M6
---	----------------

Other accessories

[Clamping collet](#)

Product ID : 10206464
Previous product ID : 901930.3---

[tapping tool collet ET-1-25](#)

Product ID : 10191234
Previous product ID : 3224--

[Collet chuck](#)

Product ID : 10029756
Previous product ID : W999067-

[tapping tool collet](#)

Product ID : 10256515
Previous product ID : WZ9990.9507F

[Clamping collet, sealed](#)

Product ID : 10698406
Previous product ID : W999085-

[BUSHING 10 D x 6 D x 12,5](#)

Product ID : 10670360
Previous product ID : W67530.0824

[Sealing washer](#)

Product ID : 10736854
Previous product ID : W99904--

[Coolant Nozzle](#)

Product ID : 11031912
Previous product ID : W67500.3208

10223454
W7040051

INDEX

[HOLLOW SCREW M14x1 M14x1](#)

Product ID : 10105238

Previous product ID : W67530.0818

[Nozzle M6 mit D1,6](#)

Product ID : 10147428

Previous product ID : W00019.0216
