

## WFB 32-20 Hydraulic expansion chuck D8

### Technical data

TH accessories category

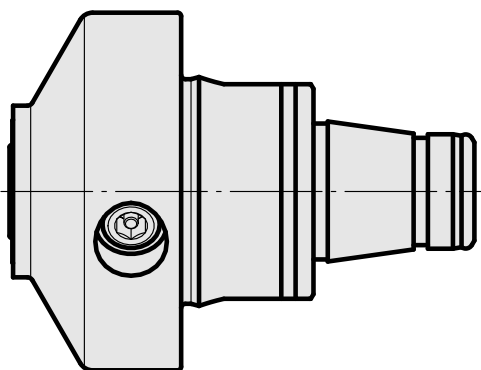
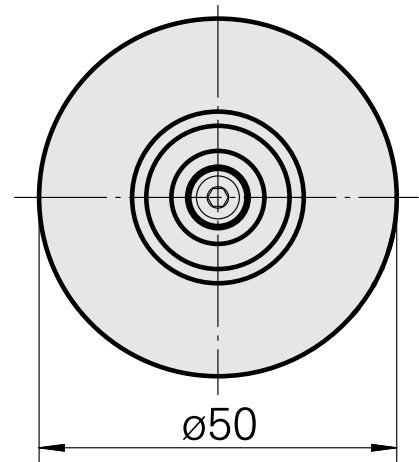
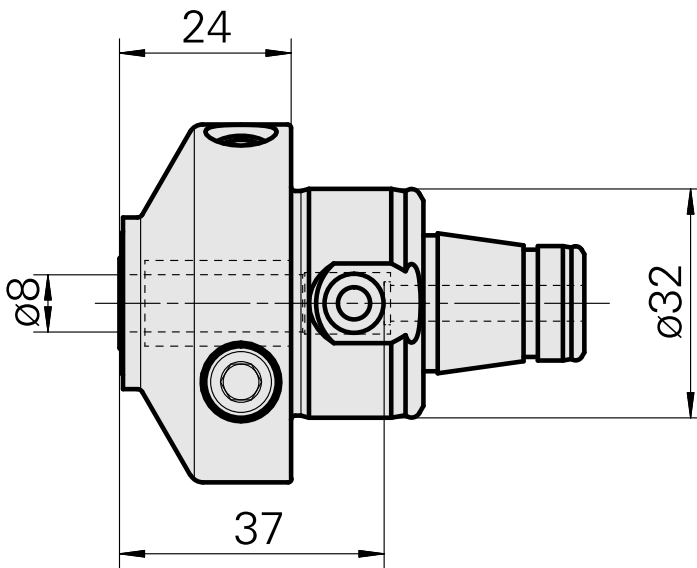
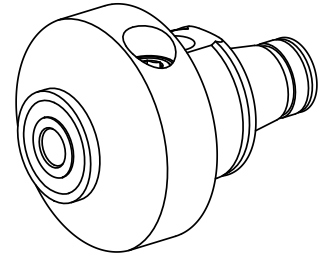
WFB 32-20

Mounting

Hydraulic expansion chuck D8

Quick change inserts

hydraulic expan. mounting



## **Documents**

### **Product notes**

[DE \(pdf\)](#)

[EN \(pdf\)](#)

[FR \(pdf\)](#)