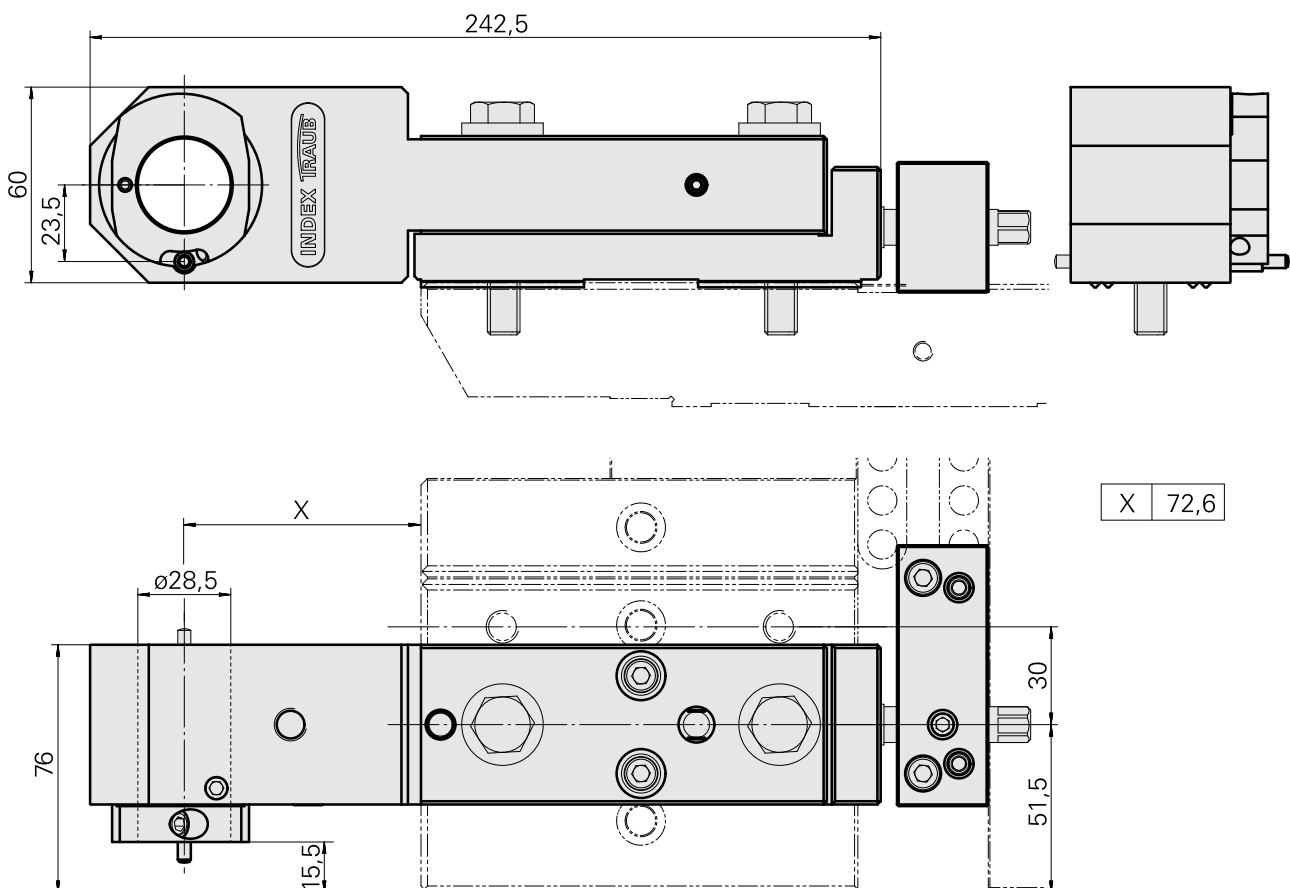
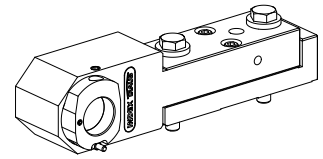


Basic holder MS16 drilling slide Hydraul

Technical data

| | |
|-----------------------------|------------------------------|
| Slide system MS | MS16 drilling slide |
| Drive | not live |
| Fixation MS | W serration |
| Mounting | Hydraulic expan. Chuck D28.5 |
| X [mm] | 72.5 (2.85") |
| Y [mm] | - |
| Z [mm] | - |
| INDEX TRAUB products | MS16-6 • MS16-6 Plus |



Documents

Product notes

[FR \(pdf\)](#)

[DE \(pdf\)](#)

[EN \(pdf\)](#)

[DE \(pdf\)](#)

[EN \(pdf\)](#)

[FR \(pdf\)](#)

Accessories

Optional accessories

MS tool holders

[Blanking plug](#)

Product ID : 12013851

Previous product ID :

| | | | |
|-------------------|------------------------------------|-------------|-------------|
| Drive not live | Fixation MS Clamping ring D28.5 | X [mm] - | Y [mm] - |
| Z [mm] - | | | |

[Calibrating tool](#)

Product ID : 12088616

Previous product ID :

| | | | |
|-------------------|---|-------------|-------------|
| Drive not live | Fixation MS Clamping ring D28.5 | X [mm] - | Y [mm] - |
| Z [mm] - | INDEX TRAUB products MS24-6 • MS16-6 • MS16-6 Plus • MS22-6 • MS22-8 | | |

Other accessories

10156937
W5150004

INDEX

Stop

Product ID : 10685423
Previous product ID : W9991106

Not defined Standard MS22

Product ID : 10132929
Previous product ID : WM3100.3150F
