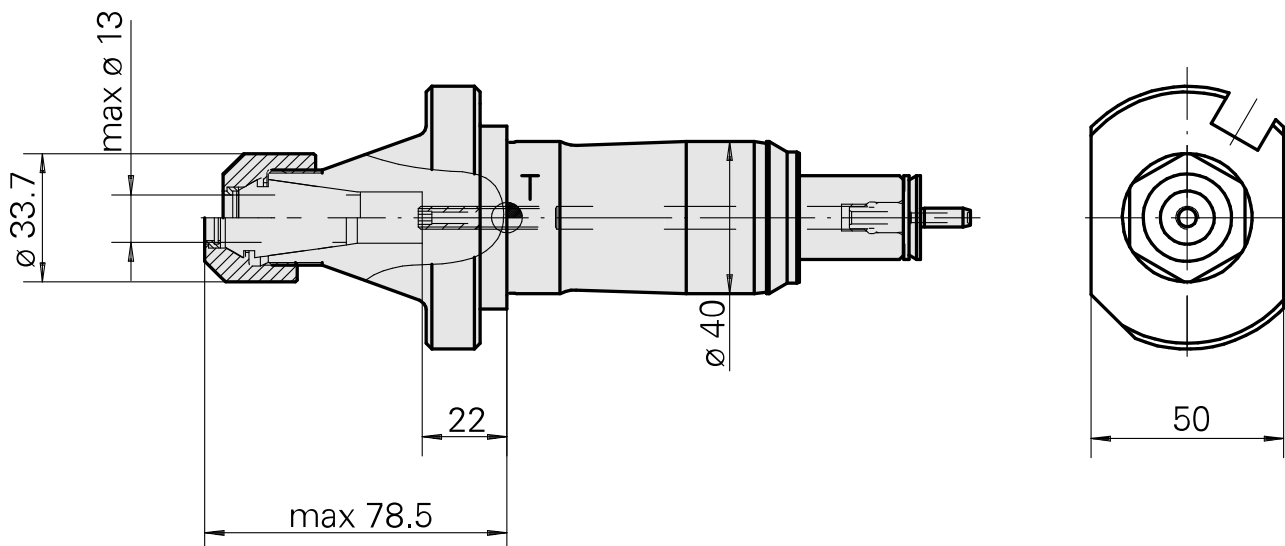
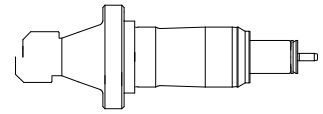


Drilling tool holder Shank 40 ER20

Technical features

Shank TNL	Shank 40
Drive	not live
Cooling	internal
Pressure	120 bar
Mounting	ER20
INDEX TRAUB products	TNK36 • TNL26



Documents

No downloads available for this product

Accessories

Required for operation

[Spanner](#)

Product ID : 10603529

Previous product ID : 490219.0201

TH accessories category Tool	Mounting ER20	Collet type ER 20	Clamping nut type Female thread
Tools for Collet chucks Clamping nut wrench			

Optional accessories

Tool holder accessories

[Clamping nut, for internal cooling lubricant supply](#)

Product ID : 10031711

Previous product ID : 901939.3201

TH accessories category Clamping nut	Mounting ER20	Collet type ER 20	Clamping nut type Female thread
---	------------------	----------------------	------------------------------------

Other accessories

[Clamping collet](#)

Product ID : 10863981

Previous product ID : 901930.2---

[tapping tool collet ET-1-20](#)

Product ID : 10418139

Previous product ID : 3234--

10120256
984514

INDEX

[Collet chuck](#)

Product ID : 10135002
Previous product ID : W999066-

[Clamping collet, sealed](#)

Product ID : 10919110
Previous product ID : W999084-

[Sealing washer](#)

Product ID : 11043453
Previous product ID : W999038-
