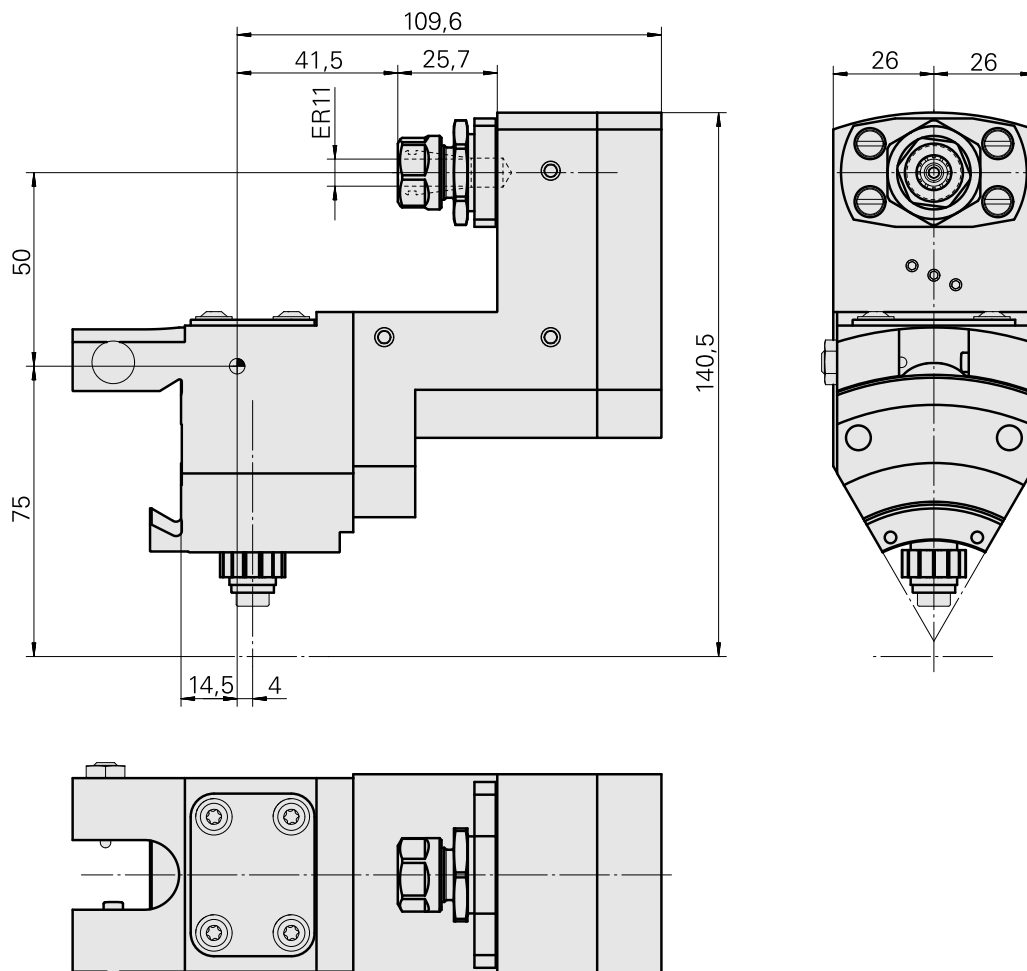
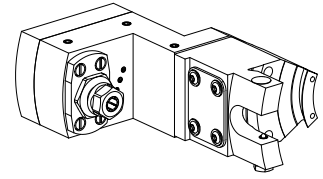


Milling unit

Technical data

Shank TNL	Circular prism
Drive	Spur gear TRAUB TNL12
Fixation TNL	Central tensioning screw
Speed ratio	1:1
Pressure	30 bar
Mounting	ER11
reversible 180°	no
Direction	opposite to drive direction
X [mm]	50 (1.97")
Y [mm]	-
Z [mm]	-
INDEX TRAUB products	TNL12 • TNL12.2



Documents

No downloads available for this product

Accessories

Required for operation

[Spanner](#)

Product ID : 10969996

Previous product ID : 490219.0111

TH accessories category Tool	Mounting ER11	Collet type ER 11	Clamping nut type Female thread
Tools for Collet chucks Clamping nut wrench			

Optional accessories

Tool holder accessories

[Clamping nut](#)

Product ID : 10302707

Previous product ID : 322438

TH accessories category Clamping nut	Mounting ER11	Collet type ER 11	Clamping nut type Female thread
-----------------------------------------	------------------	----------------------	------------------------------------

Other accessories

[Clamping collet](#)

Product ID : 10086829

Previous product ID : 901930.0---

[tapping tool collet ET-1-12](#)

Product ID : 10001911

Previous product ID : 3239--

[tapping tool collet ER11GB](#)

Product ID : 10285407

Previous product ID : 900288

[Collet chuck](#)

Product ID : 10132309

Previous product ID : W999064-
