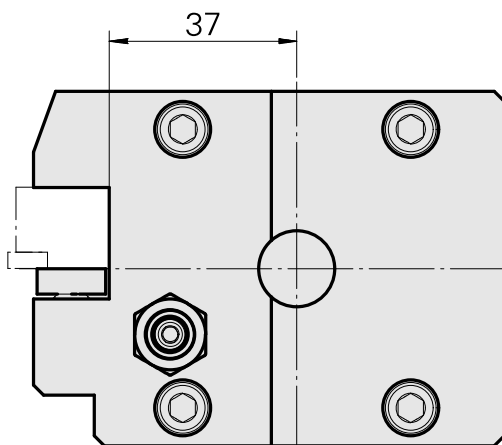
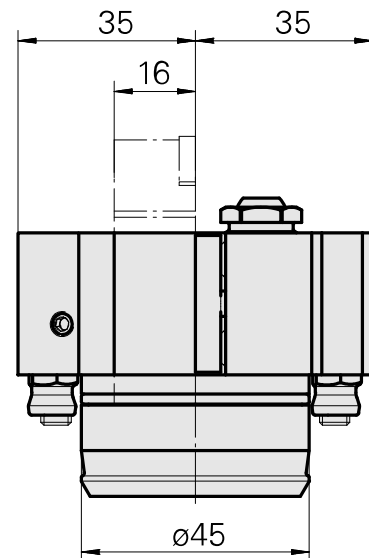
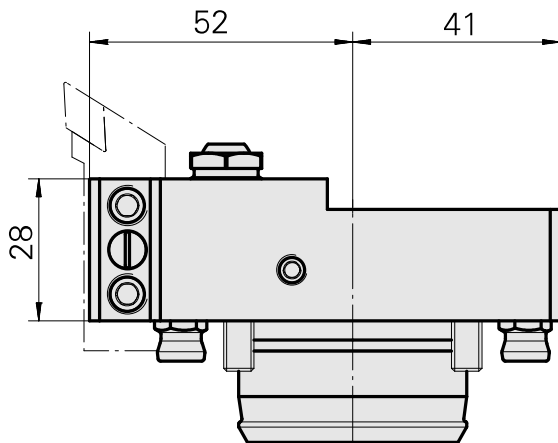


Turning tool holder

Technical data

| | |
|----------------------|--|
| Shank KPS | KPS 45 |
| Drive | not live |
| Cooling | external and internal |
| Mounting | Square 16x16 |
| Pressure | 80 bar |
| X [mm] | 28 (1.10") |
| Y [mm] | - |
| Z [mm] | 52 (2.05) |
| INDEX TRAUB products | TNL20 • TNL32-11 compact • TNL20-11 • TNL32 compact • TNK40.2-10 • TNL20.2 • TNK40.2 |



Documents

No downloads available for this product

Accessories

Optional accessories

Other accessories

[Nozzle Kugel D10 - Bohrung D2 40°](#)

Product ID : 10072335

Previous product ID : 910693

[HOLLOW SCREW M14x1 M14x1](#)

Product ID : 10105238

Previous product ID : W67530.0818

[BUSHING 10 D x 6 D x 12,5](#)

Product ID : 10670360

Previous product ID : W67530.0824

[Coolant Nozzle](#)

Product ID : 11031912

Previous product ID : W67500.3208
